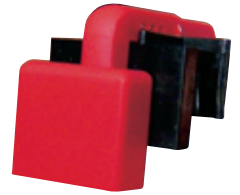


## Microswitch NVS 5

Technical data:	Application:
Rated current: ~5A Rated voltage: ~125V – ~250 V	Microswitch NVS-5 is mounted on fuse-links type M.






In (A)	Type	Code No.	Packaging (pcs)	Weight (g)
5	NVS 5	004117001	10/340	11.5

## Microswitch MK

Technical data:	Application:
Rated current: ~2A Rated voltage: ~250 V	Microswitch MK is mounted on fuse-links type S-M and G-M.



Microswitch MK	Adapter AMK1 for fuses ~690V	Adapter AMK2 for fuses ~1000V
 Pic.05	 Pic.06	 Pic.07

In (A)	Type	Code No.	Packaging (pcs)	Weight (g)
2	MK	004349003	1/1	10g
-	AMK1	004349001	1/1	15g
-	AMK2	004349002	1/1	23g

Microswitch MK + adapter AMK1 are mounted to the fuse type S-M and G-M/ 690V.

Microswitch MK + adapter AMK2 are mounted to the fuse S-M and G-M/ 1000V.

## remember

Today many different types of equipment are already fitted with Variable speed drives. In today's industry avoiding down-time can be the same as creating income.

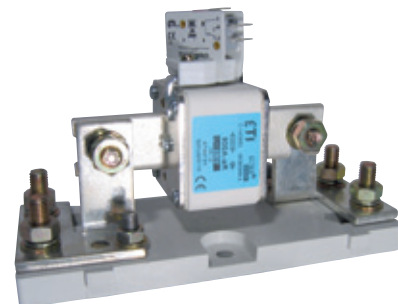
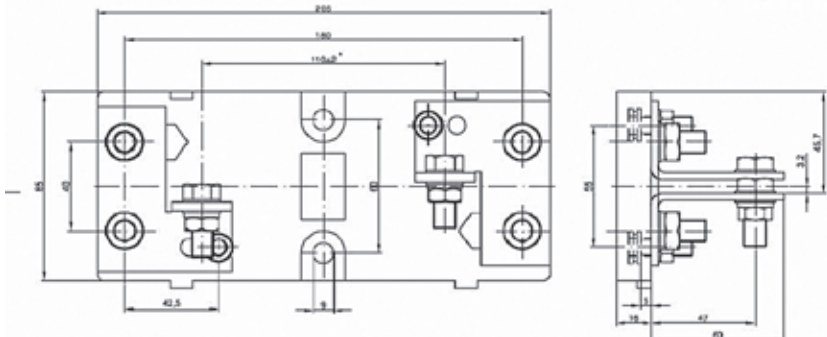
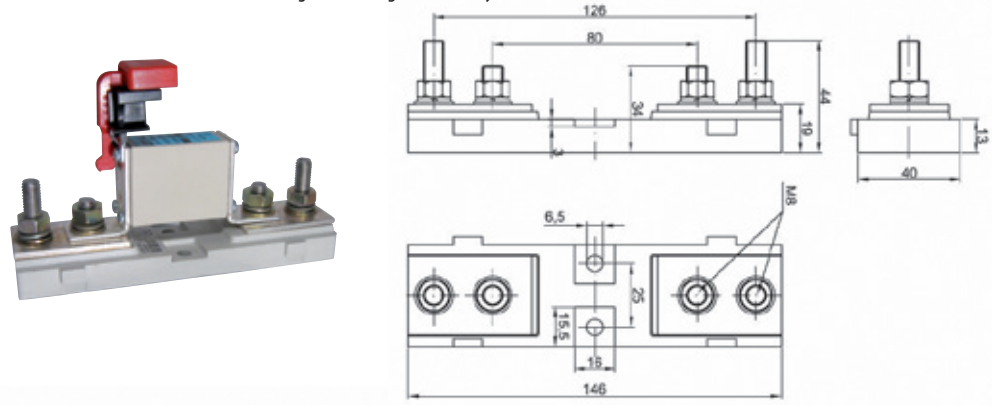
# ACCESSORIES

## Fuse base US

Technical data:				Application:
Rated voltage: 1000V, 1400V	US00 Rated current: 400A, 1000V	US1...3 Rated current: 630A, 1400V*  *900V when fuse links with 80mm hole centres applied	US1..3/1250A Rated current: 1250A, 1400V*  *900V when fuse links with 80mm hole centres applied	Fuse bases are designed for mounting fuse-links Ultra Quick type S.

Type	Code No.	Packaging (pcs)	Weight (g)
US00-1/80	004349005	5/5	185
US1...3-1/80-110	004349006	2/2	950
US1..3-1/80-110/1250A	004122043	2/2	1100

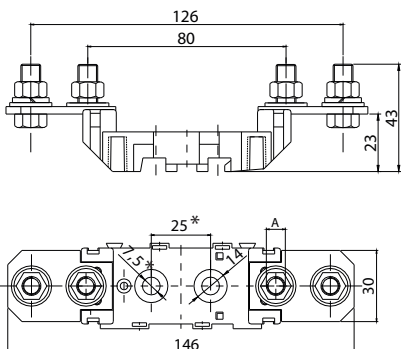
Note: Fuse base PK, STV, VLC, PCF, D0, D Catalogue "Building and Industry"



## Fuse base PLNVV

Type	In (A)	Code No.	Packaging (pcs)	Weight (g)
PLNVV – 000/1 A	160	001701010	3	510
PLNVV – 00/1 A	160	001701020	3	580

Note: for all accessories for PLNVV fuse bases, please check our Building and Industry Catalogue.



	A
PLNVV -000	M8
PLNVV -00	M10

