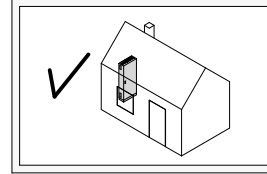
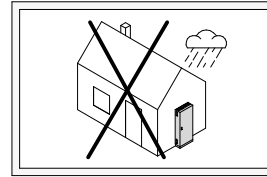


# LXN250 X-Y

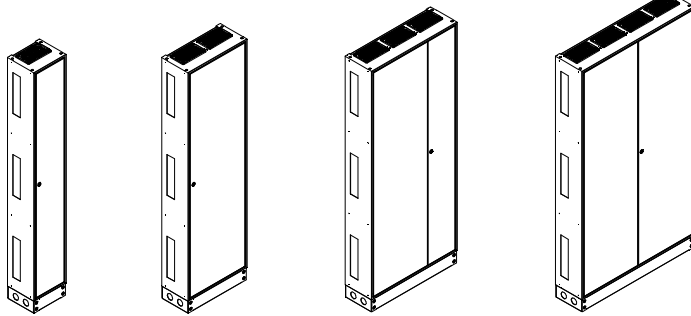


- (GB) Mounting instructions
- (DE) Montageanleitung
- (SI) Navodilo za montažo
- (PL) Instrukcje montażu
- (HR) Upute za montažu
- (CZ) Montážní návod
- (SK) Navod na montáž
- (HU) Szereles utmutato
- (LT) Montavimo instrukcija
- (RU) Инструкция за монтаж
- (LV) Montāžas instrukcija
- (EST) Paigaldusjuhend



**ETI Elektroelement d.o.o.**  
 Obrezija 5, 1411 Izlake, Slovenia  
 Phone: +386(0)3 56 57 570  
 Fax: +386(0)3 56 74 077  
 e-mail: eti@eti.si  
 www.etigroup.eu

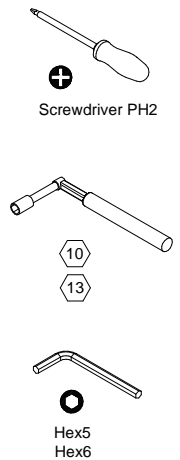
LXN250 1-12 PHN1    LXN250 2-12 PHN1    LXN250 3-12 PHN1    LXN250 4-12 PHN1  
 001321800            001321802            001321804            001321806



The enclosure set include:

- ① M6 X 3
- ② M6 X 3
- ③ M8 X 1
- ④ M8 X 1
- ⑤ x 8
- ⑥ x 8
- ⑦ x 3
- ⑧ x 8
- ⑨ KEY-1333
- ⑩ KEY-1333-ET

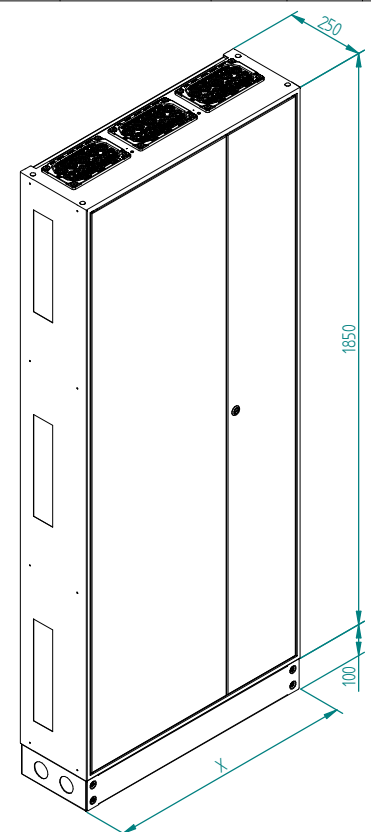
Necessary tools:

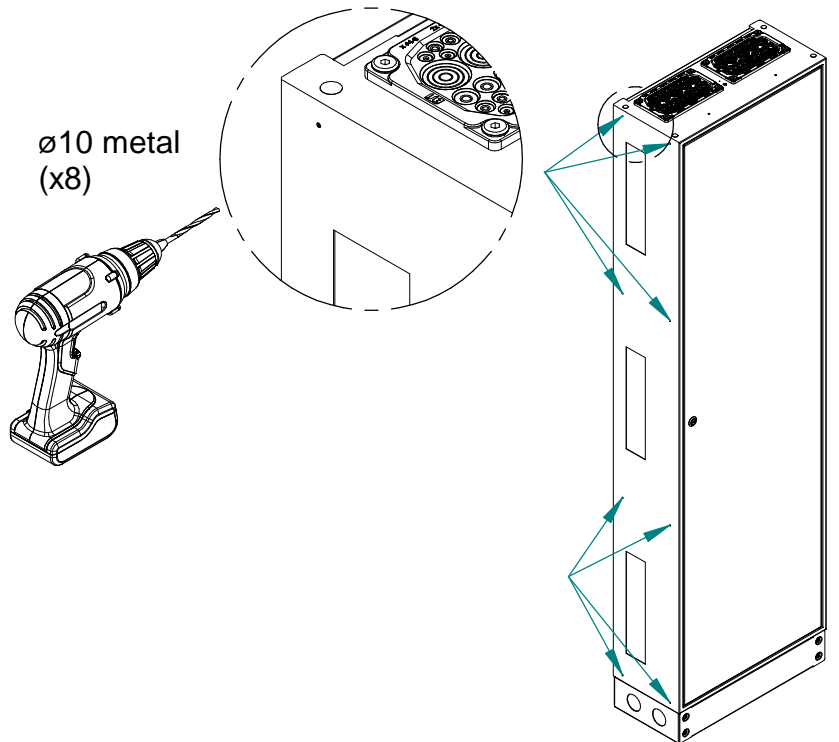
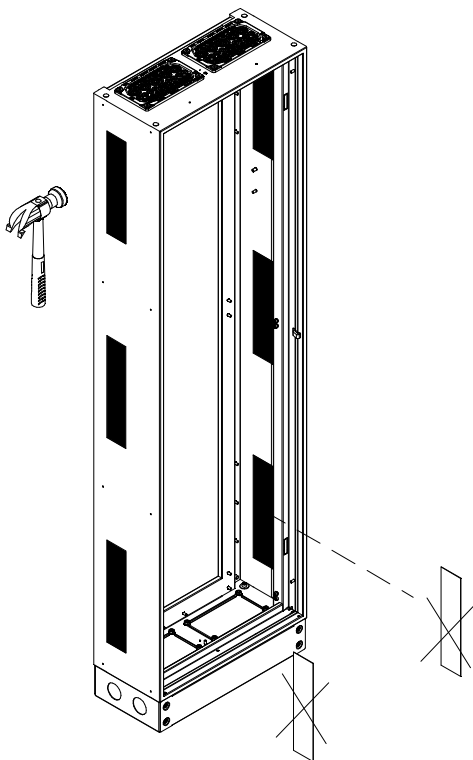
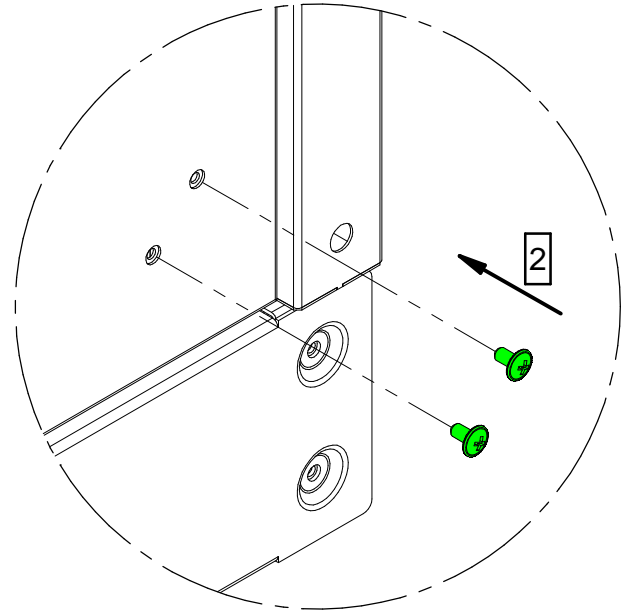
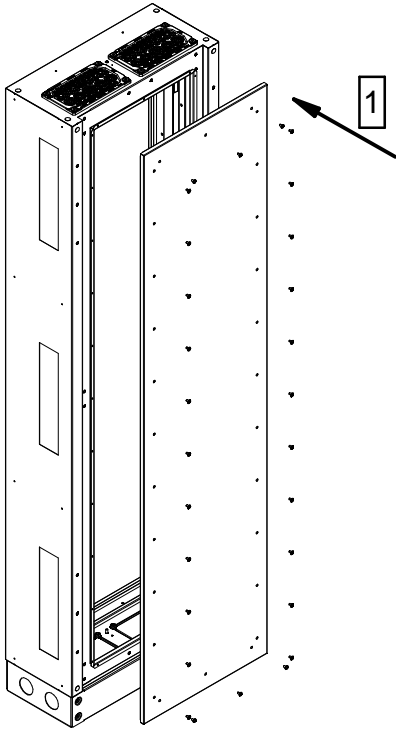


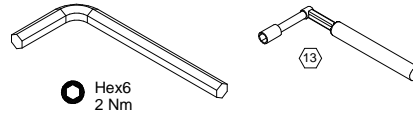
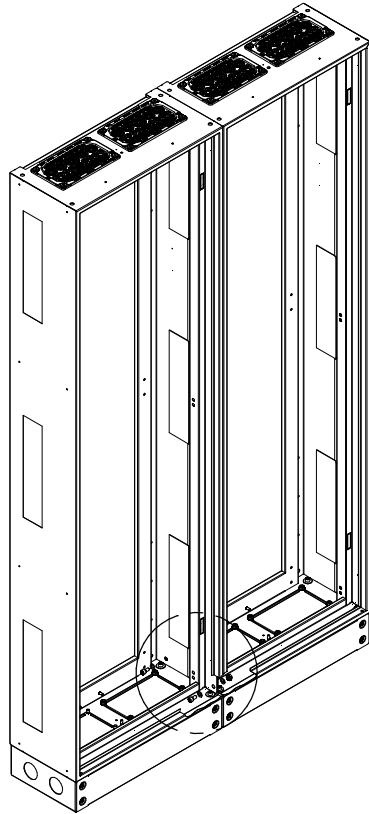
No.	Code No	Name	Page
1	--	LXN250	1-3, 5, 7
2	001338469	EH-TX-1-S	4
3	001338470	EH-TX-AL	4
4	001336932	PHN1 D2.5-W1	6
5	001336934	PHN1 D2.5-W2	6
6	001336936	PHN1 D2.5-W3	6
7	001336938	PHN1 D2.5-W4	6
8	001336982	PHN-BEL-D2.5	6
9	001101715	UCH-2	7
10	001102166	U400	7
11	001338605	WP-A 12	8, 9
12	001338308	EP-B	10
13	001338900	BL-WP 2	11, 12
14	001338901	BL-WP 3	11, 12
15	001338102	UA-B	13, 20, 21, 23, 24
16	001338103	UA-B-WD	14, 23
17	001338104	UA-S	15, 21, 24
18	001338130	BL-UA 2	16, 21, 24
19	001338131	BL-UA 3	29, 35, 40
20	001338132	BL-UA 4	29, 35, 40
21	001338160	BU-PM	17, 21
22	001338161	BU-WD	18, 24
23	--	PM-G	19-21
24	001338864	WD-K 12	22-24
25	001341800	UD-B60-H P1	25
26	001341802	UD-B60-H P3	26
27	001341803	UD-B60-H P4	27
28	001101683	LG-V SET	28
29	001101685	LG-V5 SET	28
30	001341151	LG-V6-B SET	29
31	001341153	LG-V6-D SET	29
32	001341650	LG-B60-H P1	30
33	001341651	LG-B60-H P3	30
34	001341652	LG-B60-H P4	30
35	001696006	L-BBS-60/3	31
36	001696007	L-BBS-60/4	32
37	001342181	L-WP-B60/3	31
39	001342182	L-WP-B60/4	32

No.	Code No	Name	Page
40	001341700	LG-B60-V1 P3	33, 34, 36
41	001341702	LG-B60-V2 P3	33, 34, 36
42	001341704	LG-B60-V2 P4	33, 35
43	--	CP x-1 M	37
44	--	CP x-1.5 M	38
45	--	CP x-y F	39

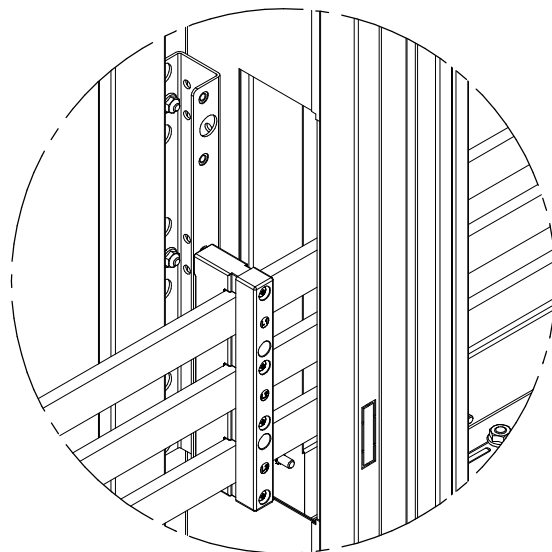
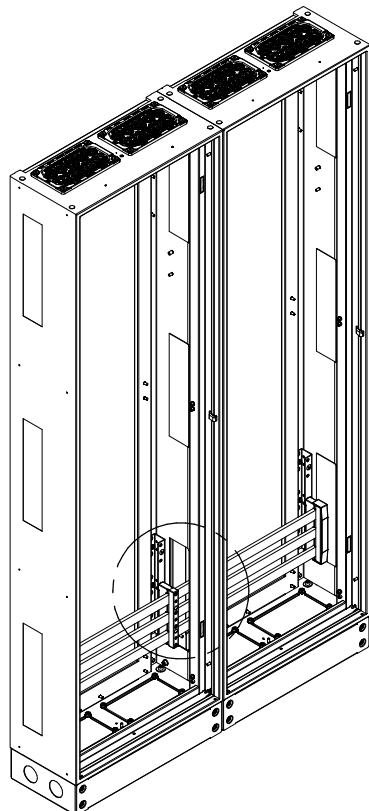
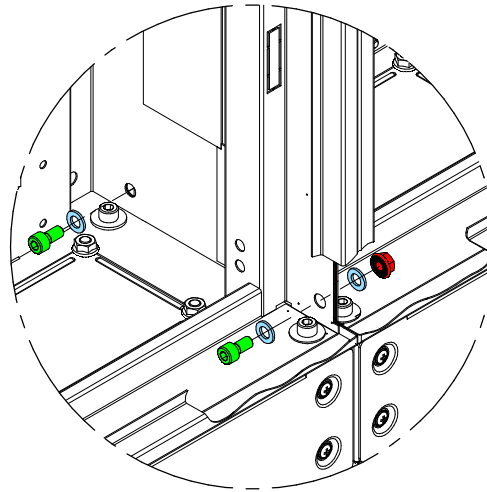
Code No	Type	X [mm]	Y [mm]	Z [mm]
001321800	LXN250 1-12 PHN1	300	1850	250
001321802	LXN250 2-12 PHN1	550	1850	250
001321804	LXN250 3-12 PHN1	800	1850	250
001321806	LXN250 4-12 PHN1	1050	1850	250







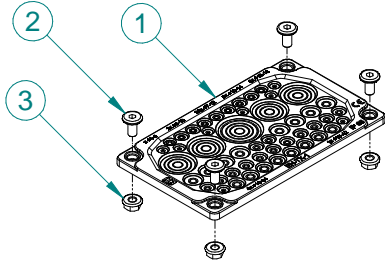
ZL-GXA-SEAL 001342651			
No.	Type ETI	Name	Pcs.
1	AS-SH 8x12	Screw M8x12 DIN912 Zn	2
2	AN-FSH 8	Nut flange serrat DIN6923 Zn	2
3	AW-R 8	Washer M8 DIN126 Zn	4



**EH-TX-1-S**

001338469

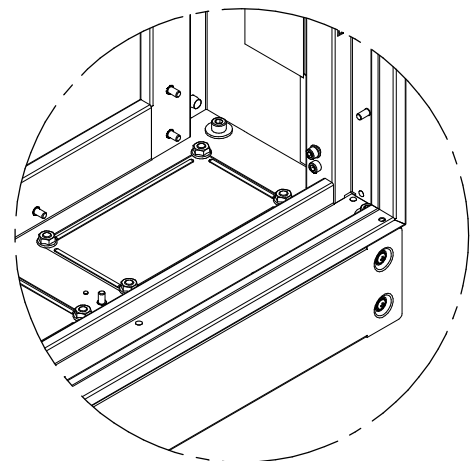
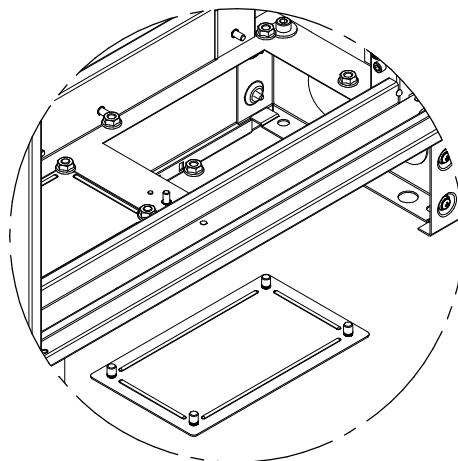
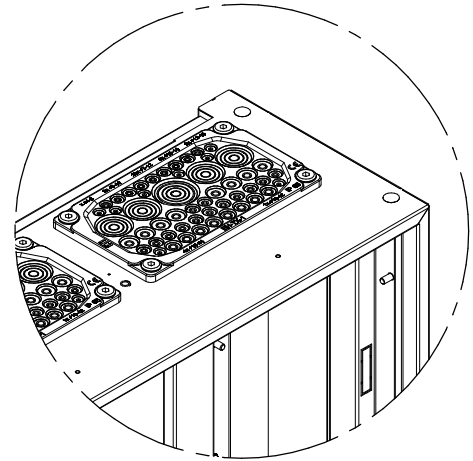
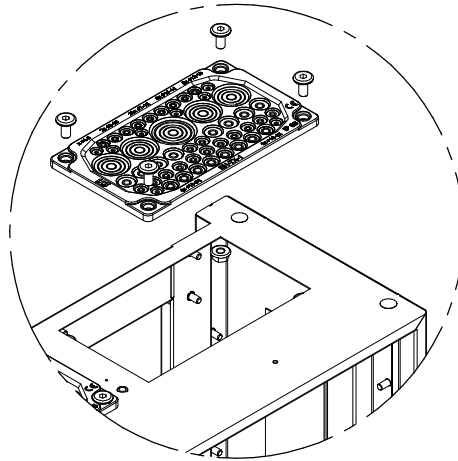
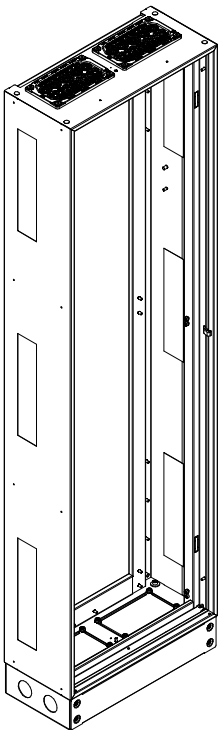
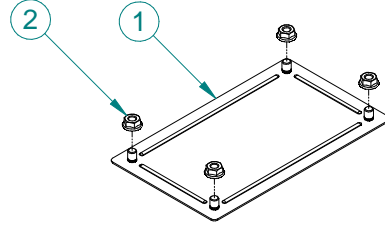
EH-TX-1-S 001338469			
No.	Type ETI	Name	Pcs.
1	EH-TX-1-CV01	Flange	1
2	AS-FH 8x16	Screw	4
3	AN-FGH 8	Nut	4

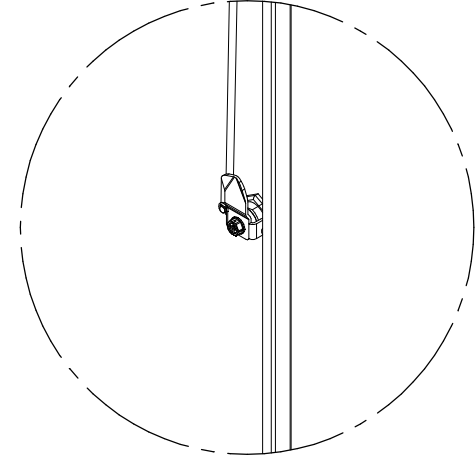
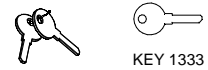
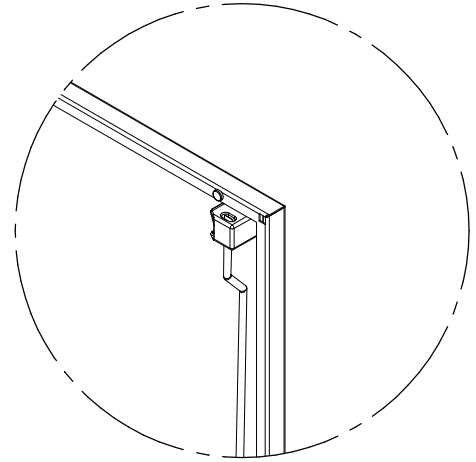
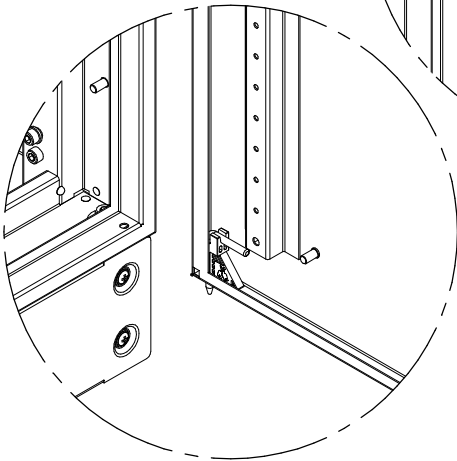
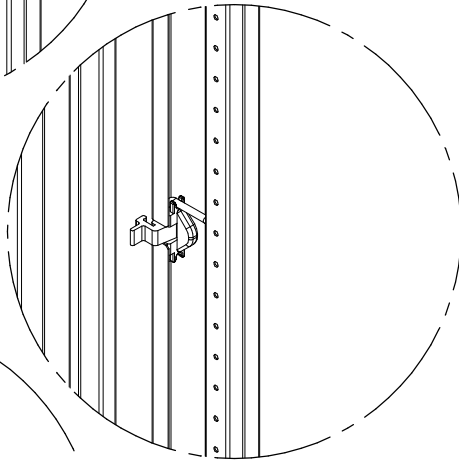
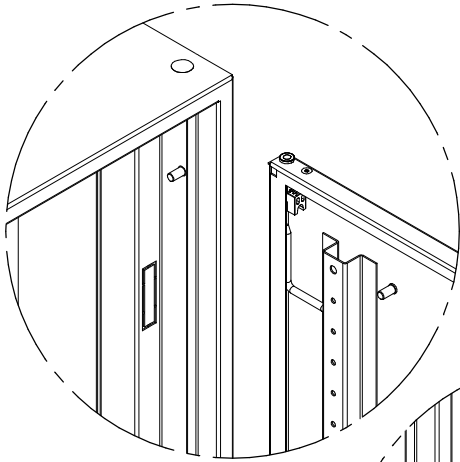
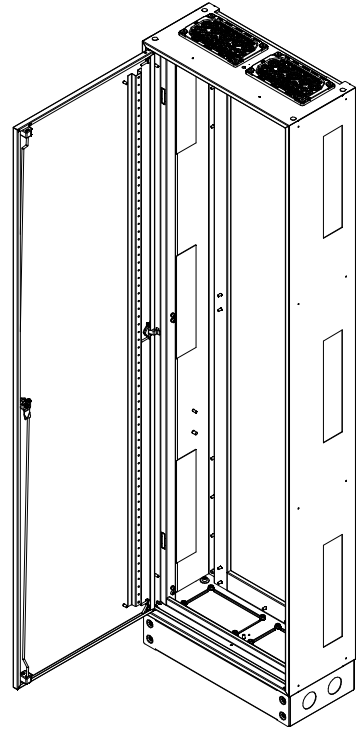
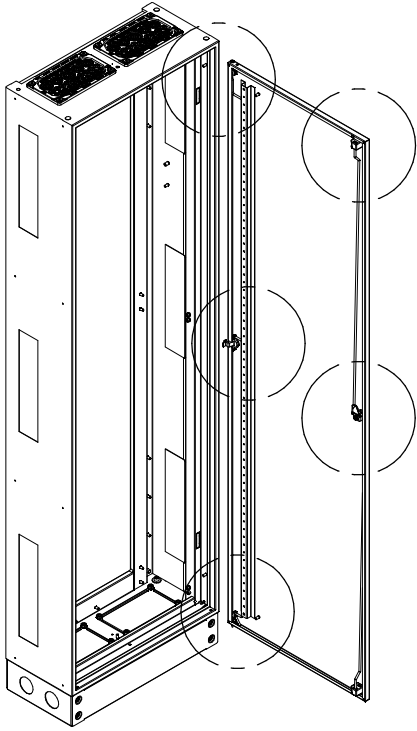


**EH-TX-AL**

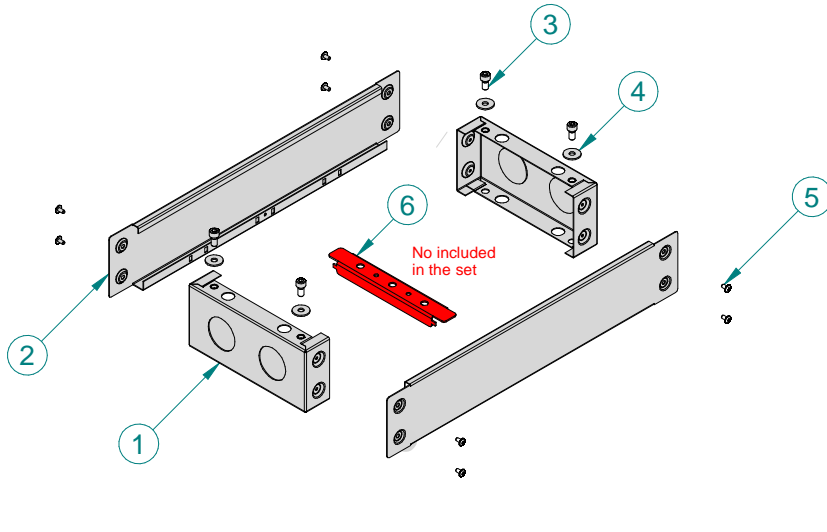
001338470

EH-TX-AL 001338470			
No.	Type ETI	Name	Pcs.
1	EH-TH-AL-K1	Flange	1
2	AN-FGH 8	Nut	4

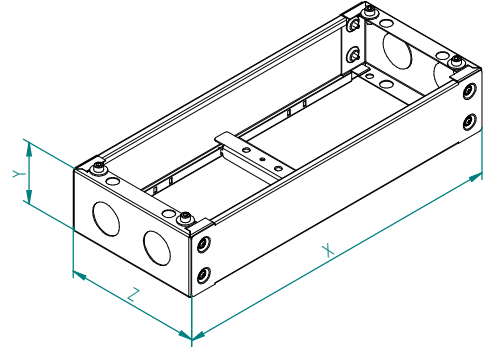




PHN1



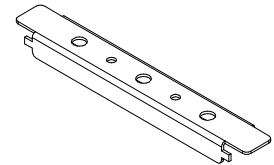
Code No	Type	X [mm]	Y [mm]	Z [mm]
001336932	PHN1 D2.5-W1	300	100	250
001336934	PHN1 D2.5-W2	550	100	250
001336936	PHN1 D2.5-W3	800	100	250
001336938	PHN1 D2.5-W4	1050	100	250



PHN1 D2.5 -W1		001336932	
No.	Type ETI	Name	Pcs.
1	PHN1-BOK-D2.5	Side plinth	2
2	PH1-PRZ-W1	Front plinth	2
3	AS-SH 8x16	Screw M8x16 DIN912 Zn	4
4	AW-R 8	Washer M8 DIN126 Zn	4
5	AST 4.8x9.5	Tapping screw	8
6	PHN-BEL-D2.5	<b>Support - NOT INCLUDED</b>	1

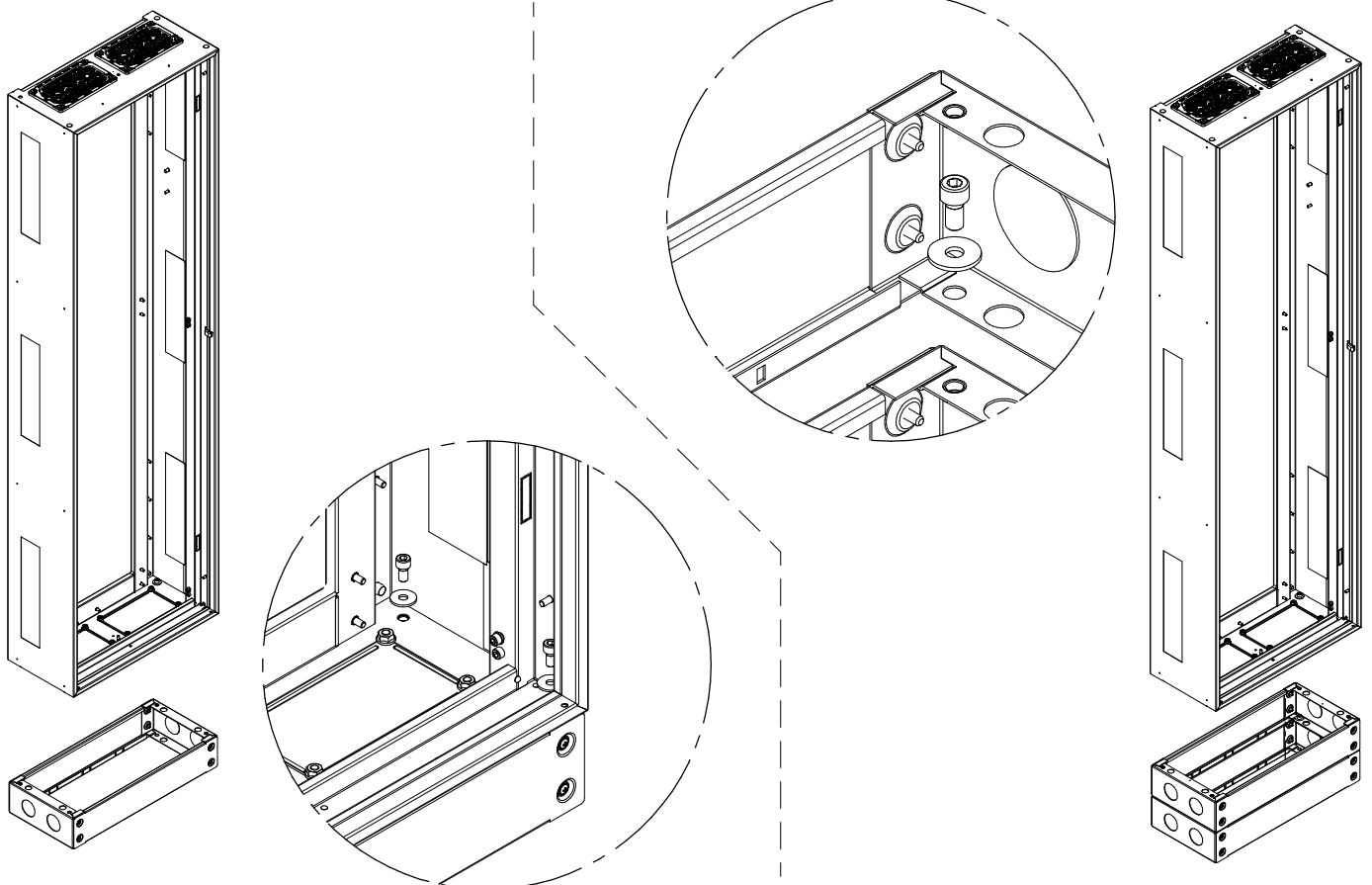
PHN1 D2.5 -W2		001336934	
No.	Type ETI	Name	Pcs.
1	PHN1-BOK-D2.5	Side plinth	2
2	PH1-PRZ-W2	Front plinth	2
3	AS-SH 8x16	Screw M8x16 DIN912 Zn	4
4	AW-R 8	Washer M8 DIN126 Zn	4
5	AST 4.8x9.5	Tapping screw	8
6	PHN-BEL-D2.5	<b>Support - NOT INCLUDED</b>	1

PHN-BEL-D2.5 001336982

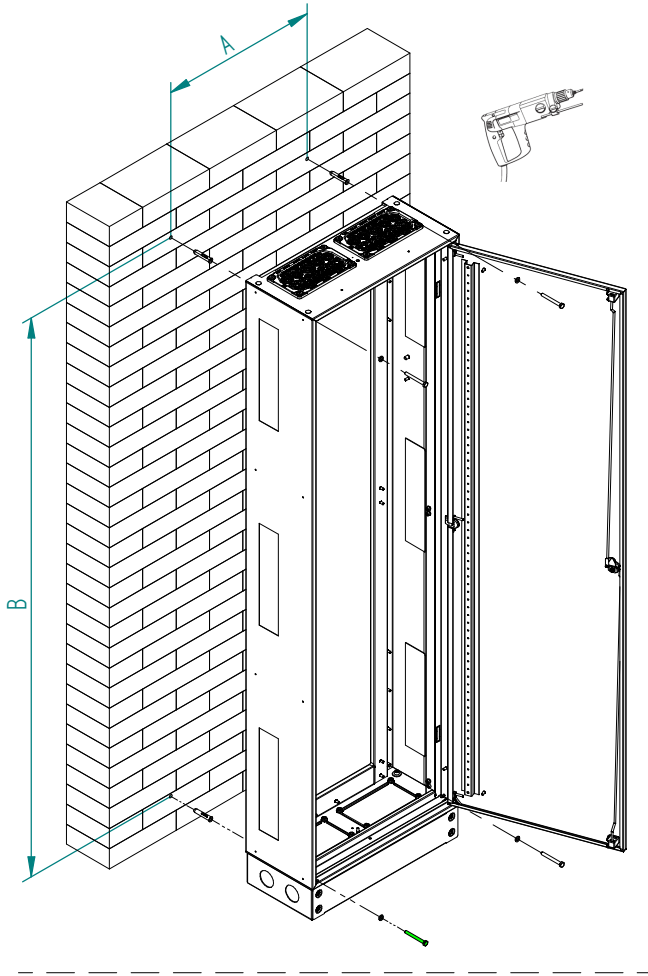


PHN1 D2.5 -W3		001336936	
No.	Type ETI	Name	Pcs.
1	PHN1-BOK-D2.5	Side plinth	2
2	PH1-PRZ-W3	Front plinth	2
3	AS-SH 8x16	Screw M8x16 DIN912 Zn	4
4	AW-R 8	Washer M8 DIN126 Zn	4
5	AST 4.8x9.5	Tapping screw	8
6	PHN-BEL-D2.5	<b>Support - NOT INCLUDED</b>	1

PHN1 D2.5 -W4		001336938	
No.	Type ETI	Name	Pcs.
1	PHN1-BOK-D2.5	Side plinth	2
2	PH1-PRZ-W4	Front plinth	2
3	AS-SH 8x16	Screw M8x16 DIN912 Zn	4
4	AW-R 8	Washer M8 DIN126 Zn	4
5	AST 4.8x9.5	Tapping screw	8
6	PHN-BEL-D2.5	<b>Support - NOT INCLUDED</b>	1

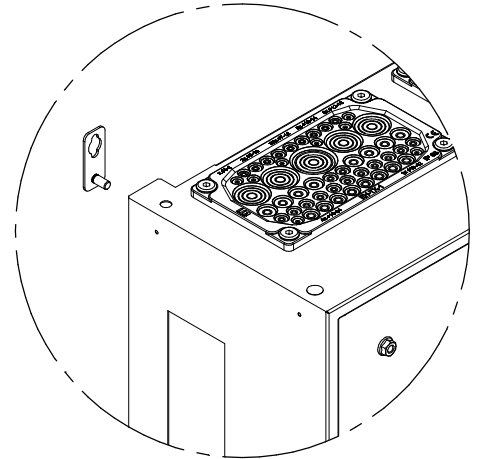
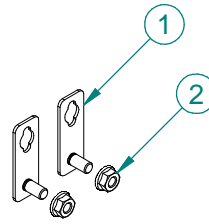


Code No	Type	A [mm]	B [mm]
001321800	LXN250 1-12 PH1	260	1810
001321802	LXN250 2-12 PH1	510	1810
001321804	LXN250 3-12 PH1	760	1810
001321806	LXN250 4-12 PH1	1010	1810



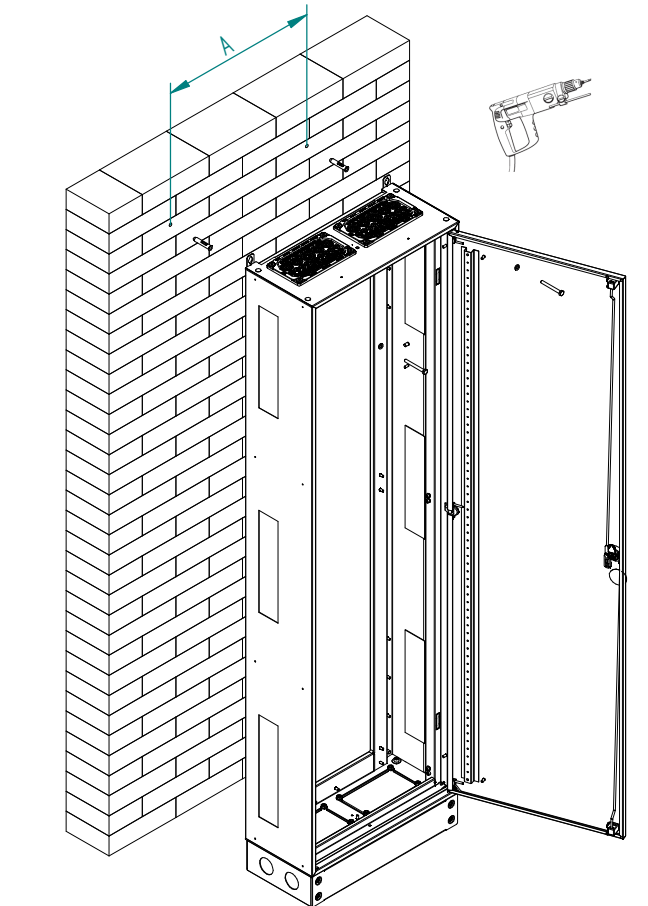
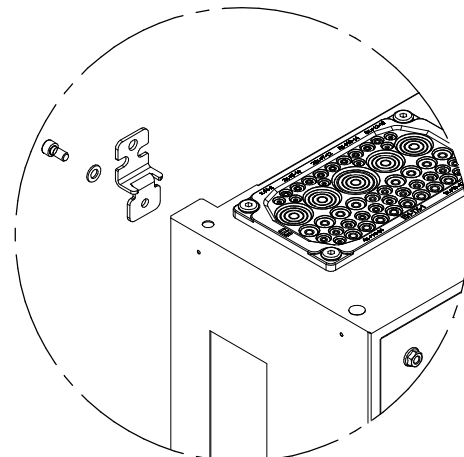
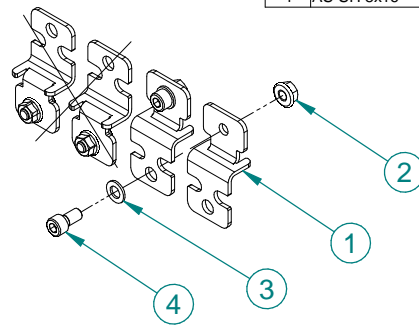
**UCH-2** 001101715

UCH-2 001101715			
No.	Type ETI	Name	Pcs.
1	UCH-2-W	Holder	2
2	AN-FGH 8	Nut flange even M8 DIN6923 Zn	2



**U400** 001102166

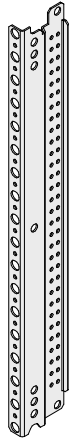
U400 001102166			
No.	Type ETI	Name	Pcs.
1	U400-C	Holder	4
2	AN-FGH 8	Nut flange even M8 DIN6923 Zn	4
3	AW-R 8	Washer M8 DIN126 Zn	4
4	AS-SH 8x16	Screw M8x16 DIN912 Zn	4



WP-A



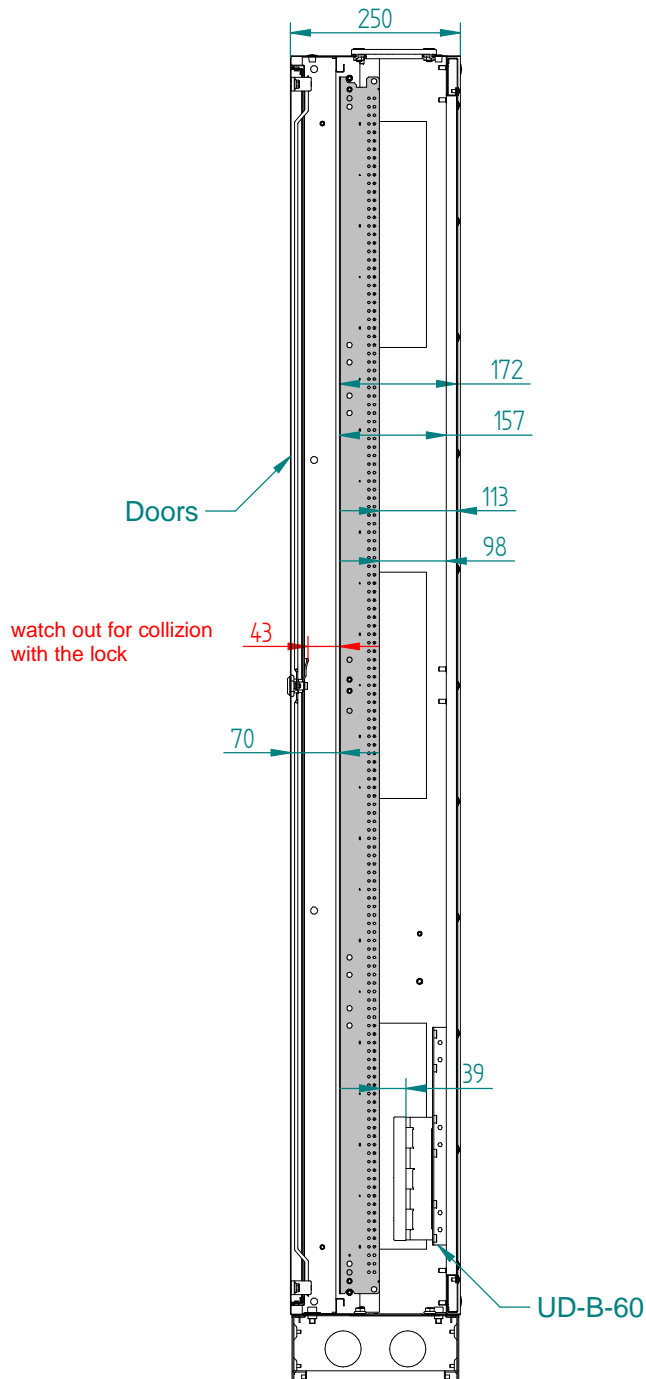
WP-A L



WP-A P

Code No	Type	Y	(1)	Pcs.	(2)	Pcs.
001338600	WP-A 2	288 mm	WP-A 2L	1	WP-A 2P	1
001101716	WP-A 2.33	338 mm	WP-A 2.33L	1	WP-A 2.33P	1
001101644	WP-A 3	438 mm	WP-A 3L	1	WP-A 3P	1
001101645	WP-A 3.66	538 mm	WP-A 3.66L	1	WP-A 3.66P	1
001101646	WP-A 4	588 mm	WP-A 4L	1	WP-A 4P	1
001101647	WP-A 5	738 mm	WP-A 5L	1	WP-A 5P	1
001101648	WP-A 6	888 mm	WP-A 6L	1	WP-A 6P	1
001101649	WP-A 6.33	938 mm	WP-A 6.33L	1	WP-A 6.33P	1
001101650	WP-A 7	1038 mm	WP-A 7L	1	WP-A 7P	1
001101651	WP-A 7.66	1138 mm	WP-A 7.66L	1	WP-A 7.66P	1
001338601	WP-A 8	1188 mm	WP-A 8L	1	WP-A 8P	1
001338602	WP-A 9	1338 mm	WP-A 9L	1	WP-A 9P	1
001338603	WP-A 10	1488 mm	WP-A 10L	1	WP-A 10P	1
001338605	WP-A 12	1788 mm	WP-A 12L	1	WP-A 12P	1

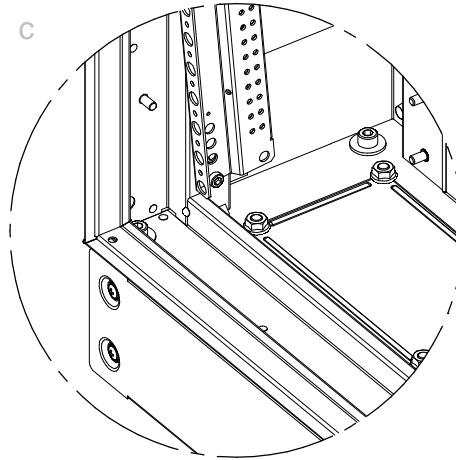
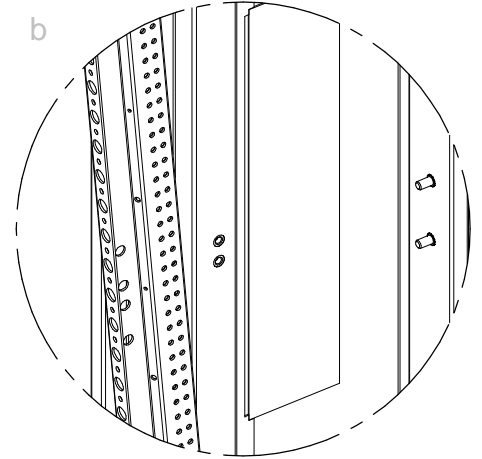
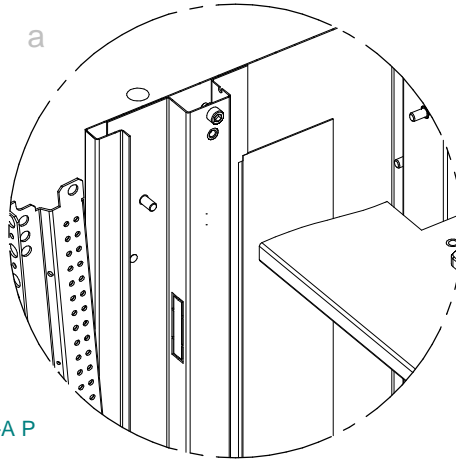
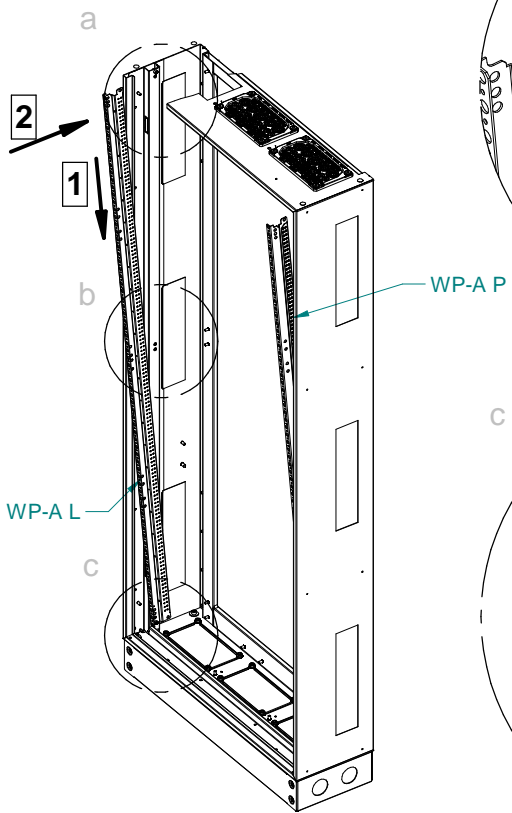
\* basic holder



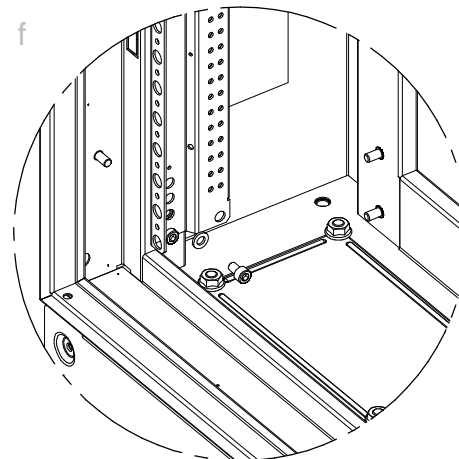
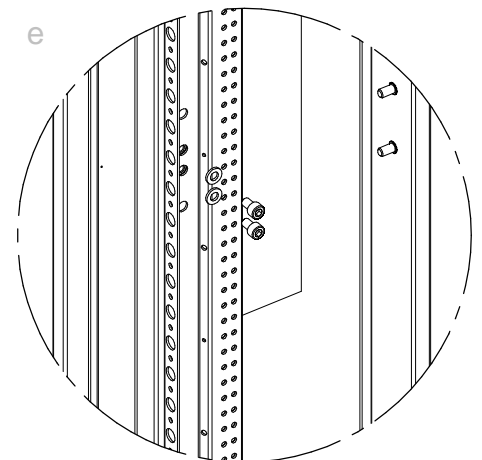
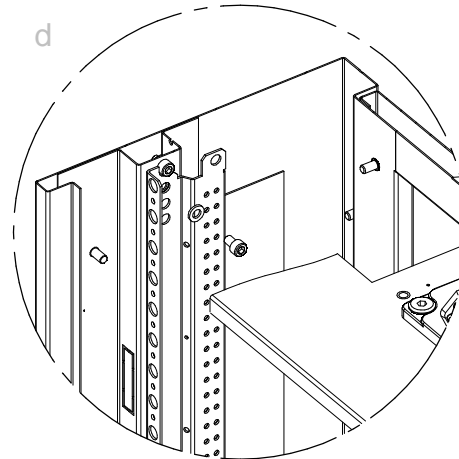
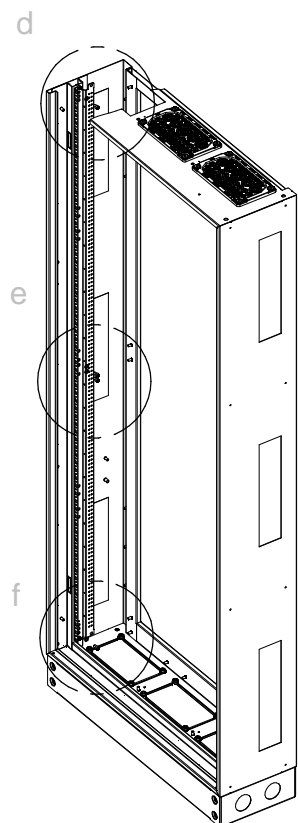


1a

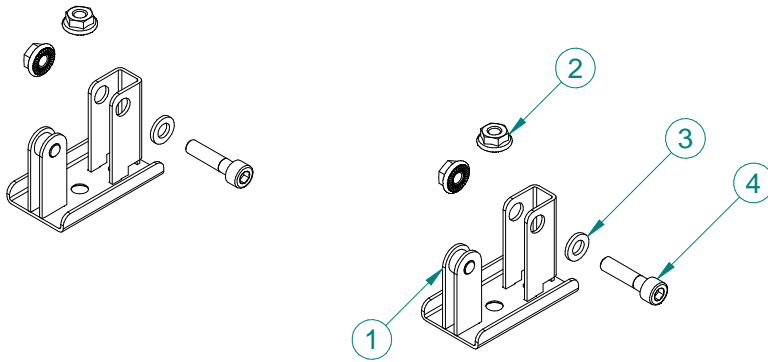
WP-A



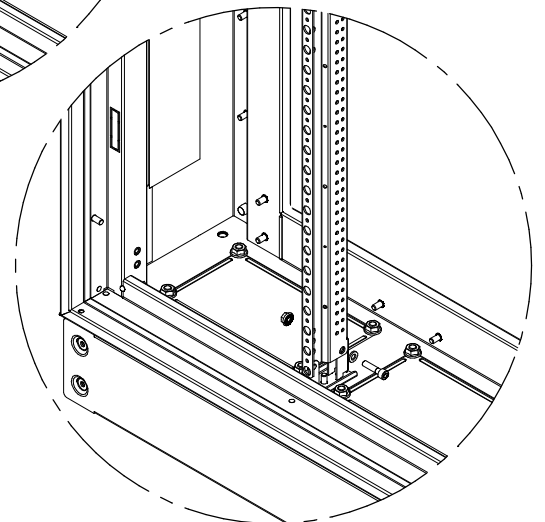
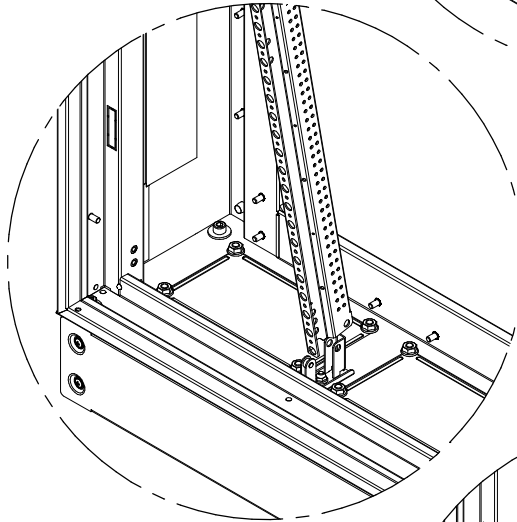
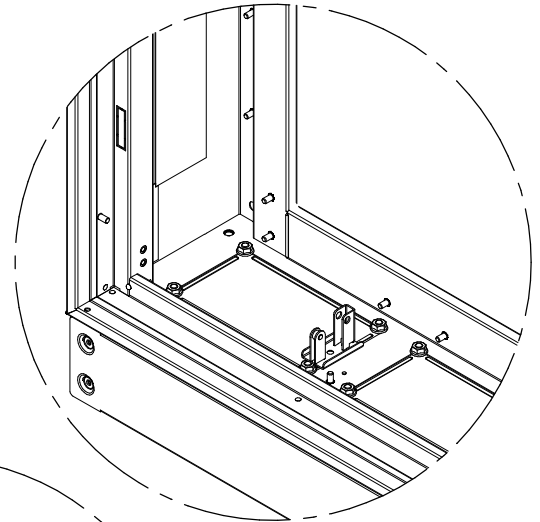
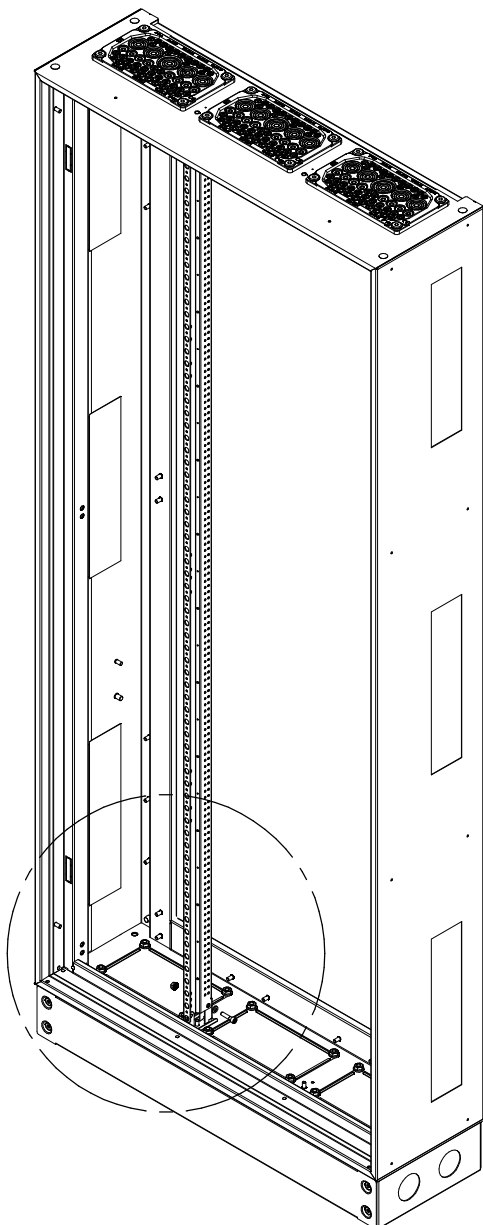
2a



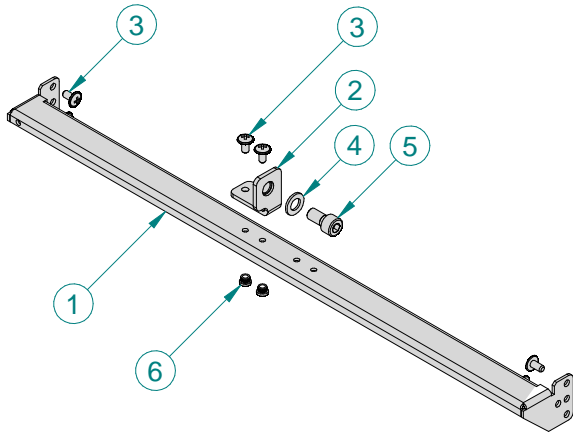
EP-B 001338308



EP-B 001338308			
No.	Type ETI	Name	Pcs.
1	EP-B-C	Support	2
2	AN-FSH 6	Nut flange serrat DIN6923 Zn	4
3	AW-R 6	Washer M6 DIN126 Zn	2
4	AS-SH 6x25	Screw M6x25 DIN912 Zn	2

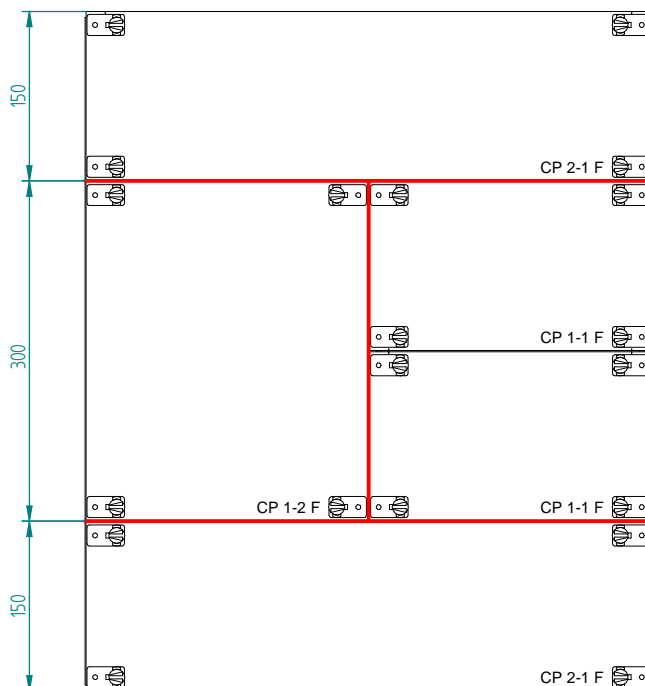
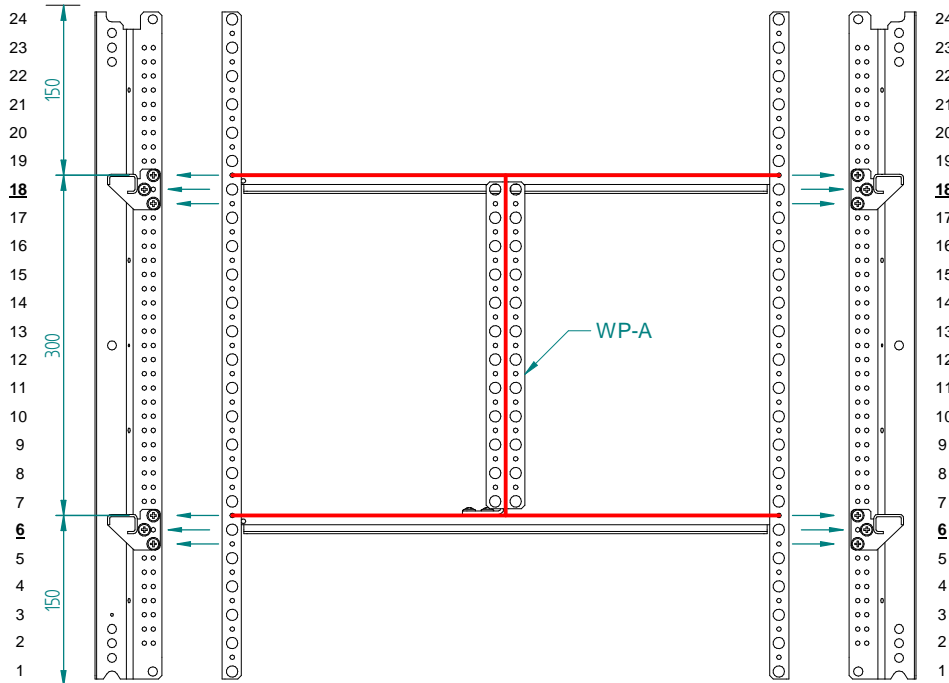


BL-WP

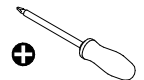
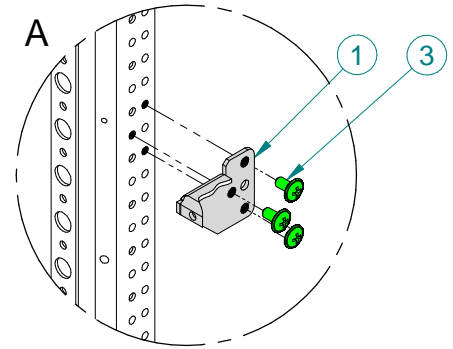
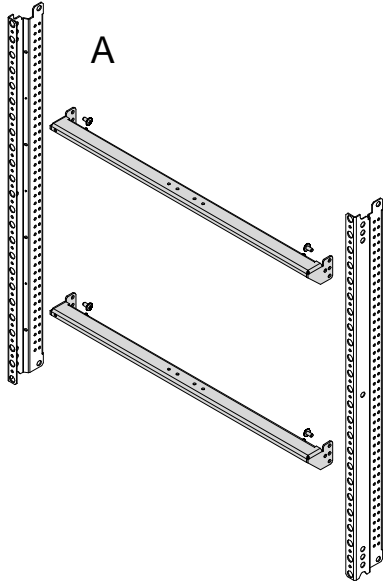


BL-WP 2 001338900			
No.	Type ETI	Name	Pcs.
1	BL-WP-2-C	Support	1
2	BL-EP	Support	1
3	AST 4.8x9.5	Tapping screw	8
4	AW-R 8	Washer M6 DIN126 Zn	1
5	AS-SH 8x12	Screw M8x12 DIN912 Zn	1
6	BP-6	Rubber plug	2

BL-WP 3 001338901			
No.	Type ETI	Name	Pcs.
1	BL-WP-3-C	Support	1
2	BL-EP	Support	2
3	AST 4.8x9.5	Tapping screw	10
4	AW-R 8	Washer M6 DIN126 Zn	2
5	AS-SH 8x12	Screw M8x12 DIN912 Zn	2
6	BP-6	Rubber plug	4



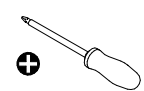
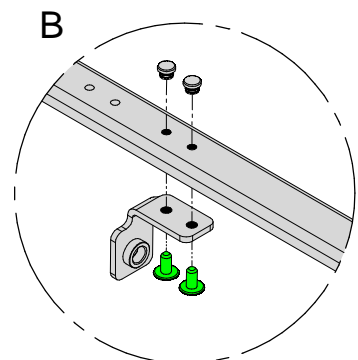
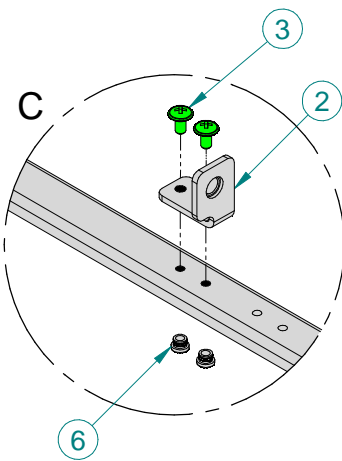
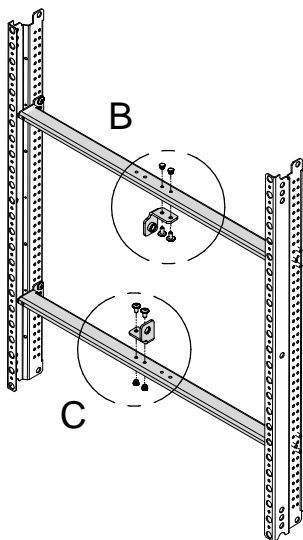
1



Screwdriver PH2  
(Wkręтак PH2)

2	AST 4.8x9.5	3.0-3.4 Nm
---	-------------	------------

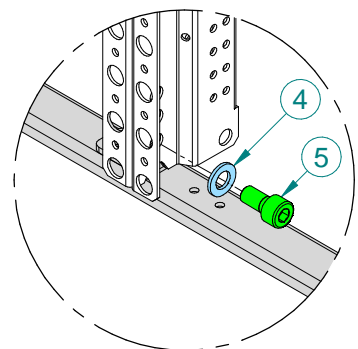
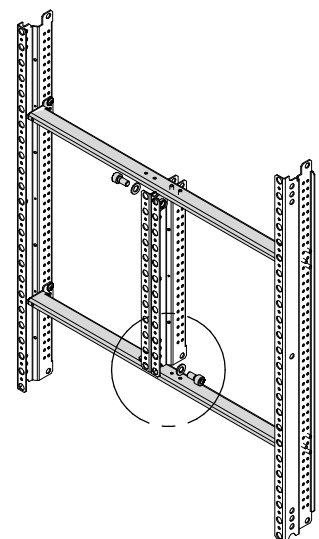
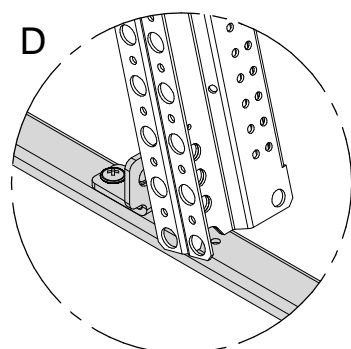
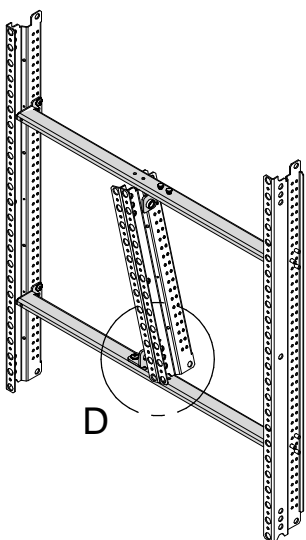
2



Screwdriver PH2  
(Wkręтак PH2)

2	AST 4.8x9.5	3.0-3.4 Nm
---	-------------	------------

3

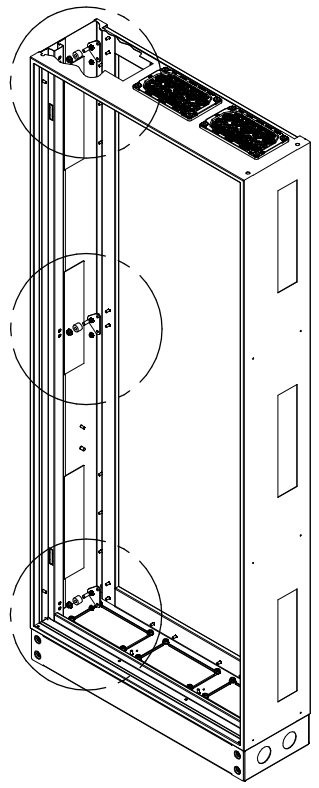
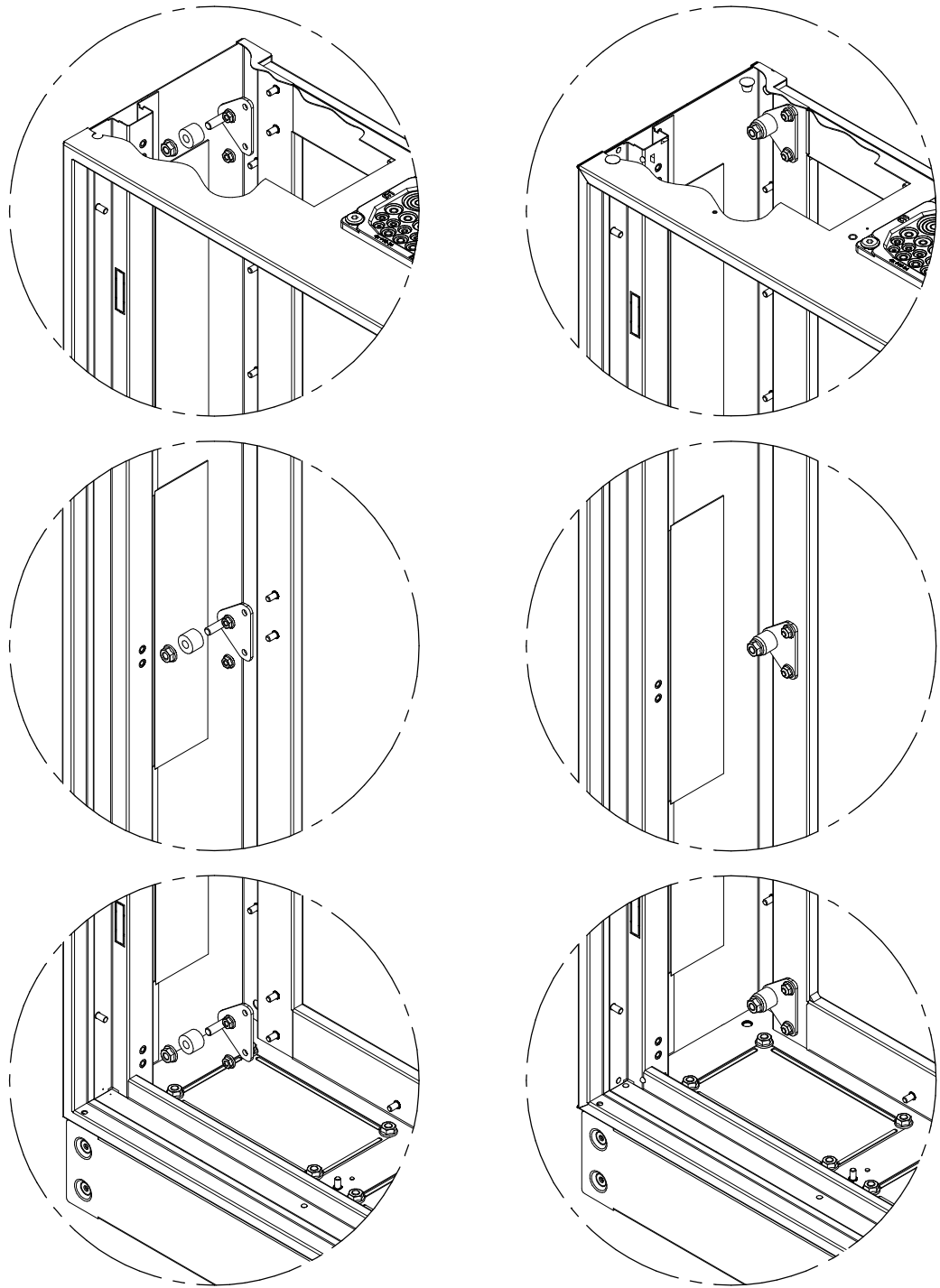
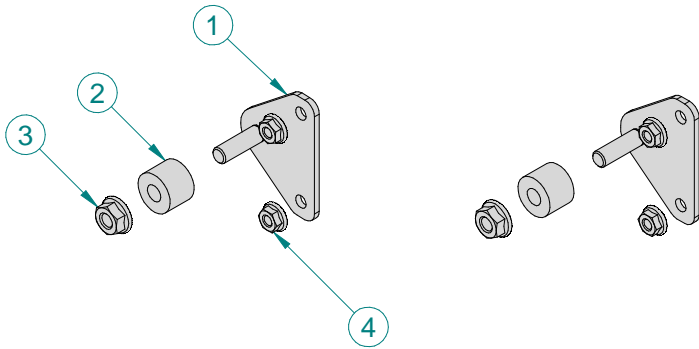


Hex5  
(Klucz imbusowy 6)

4	AS-SH 8x16	- Nm
---	------------	------

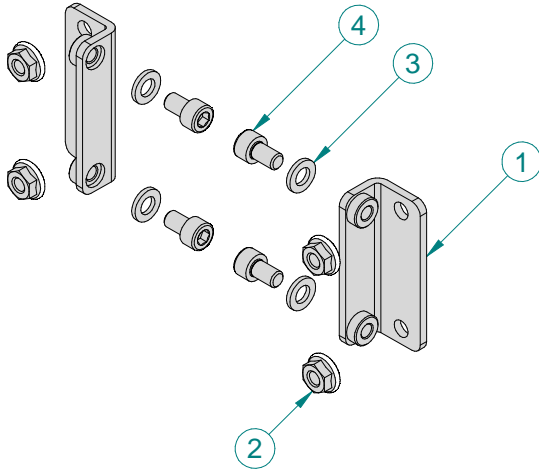
UA-B 001338102

UA-B 001338102			
No.	Type ETI	Name	Pcs.
1	UA-B-C	Holder	2
3	TU-D20-d8-15	Spacer roll	2
4	AN-FSH 8	Nut flange serrat DIN6923 Zn	2
2	AN-FSH 6	Nut flange serrat DIN6923 Zn	4

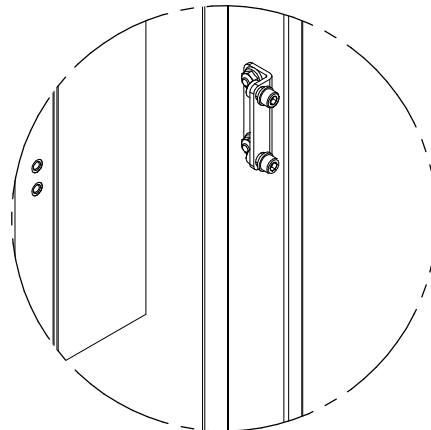
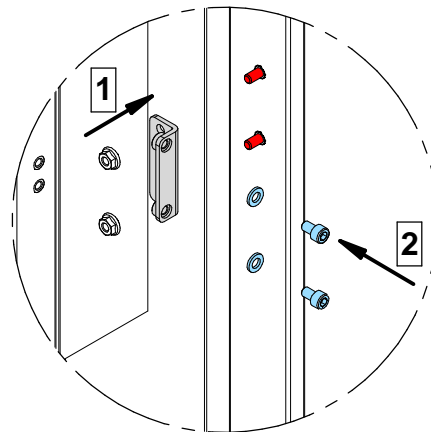
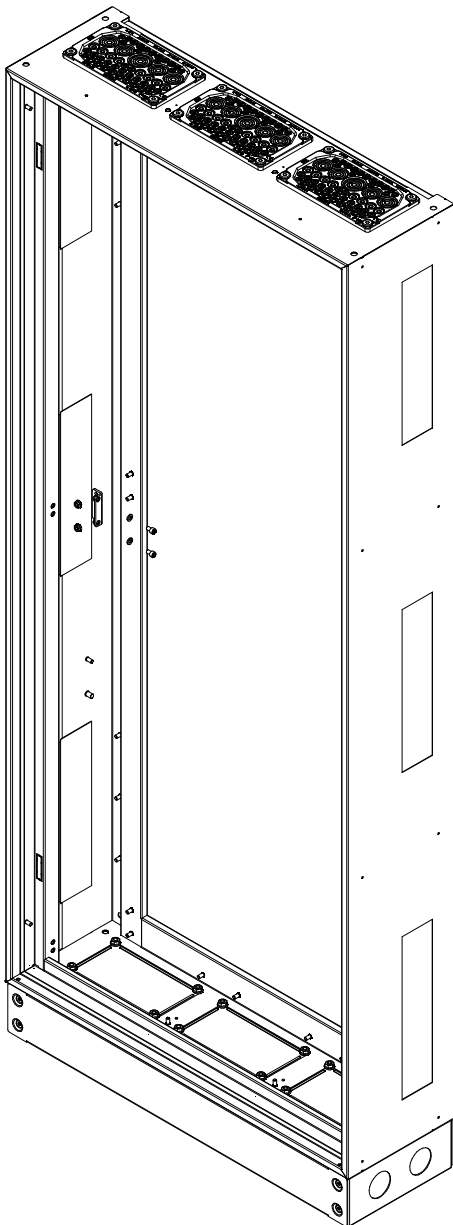


**UA-B-WD**

001338103

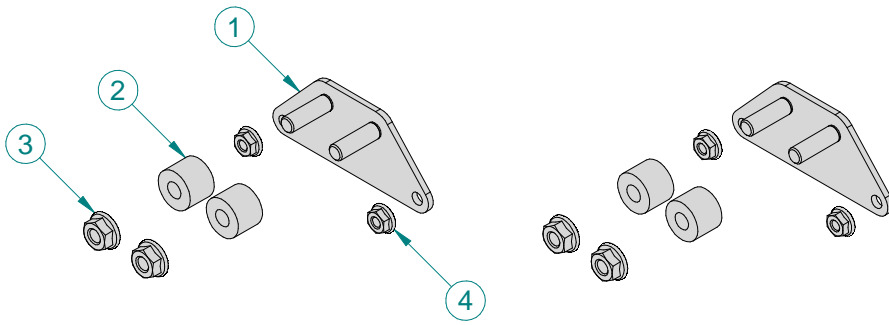


UA-B-WD 001338103			
No.	Type ETI	Name	Pcs.
1	UA-B-WD-C	Holder	2
2	AN-FSH 6	Nut flange serrat DIN6923 Zn	4
3	AW-R 6	Washer M6 DIN126 Zn	4
4	AS-SH 6x10	Screw M6x10 DIN912 Zn	4

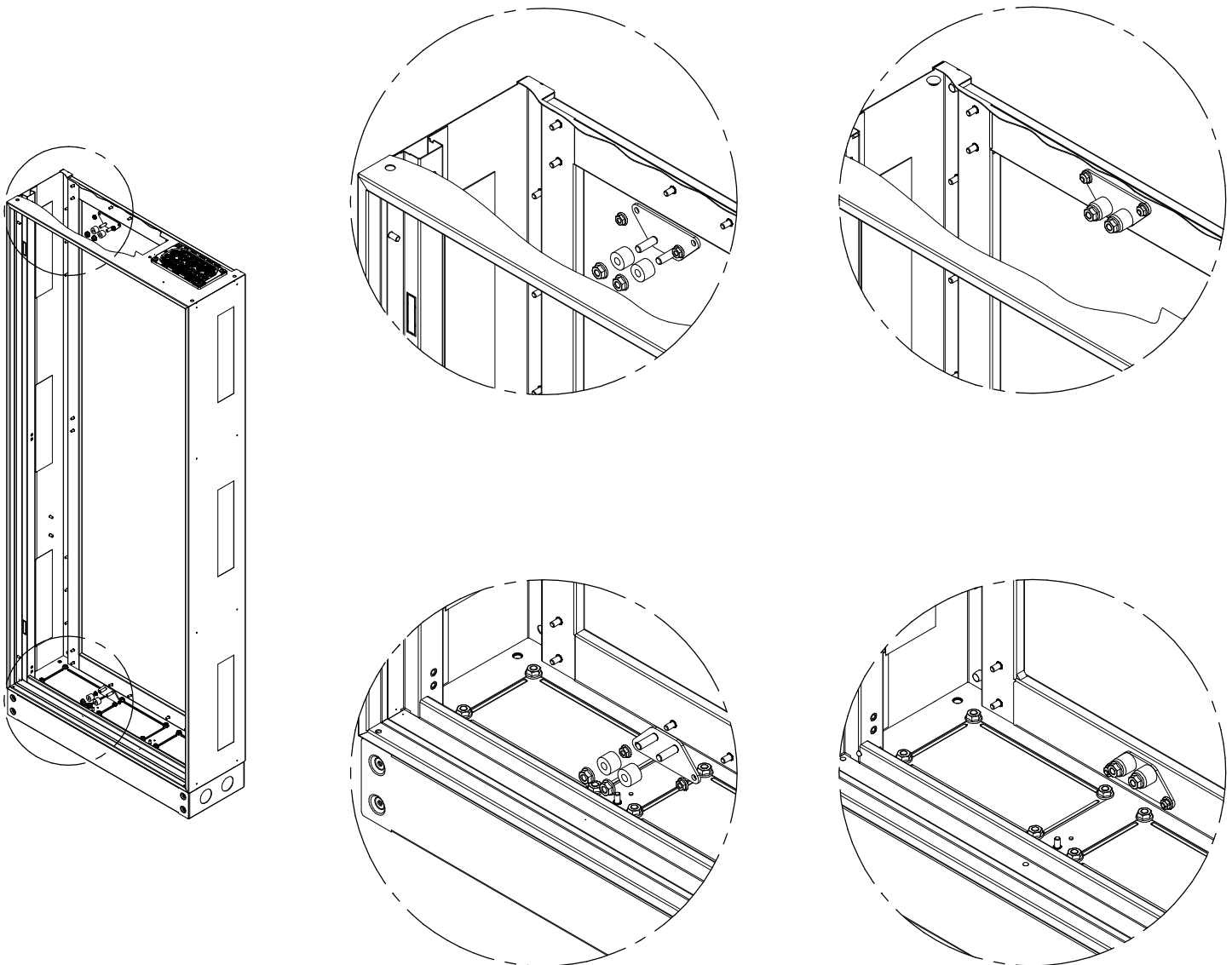


UA-S

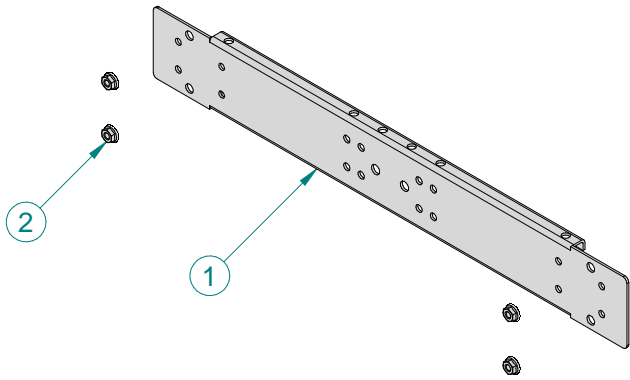
001338104



UA-S 001338104			
No.	Type ETI	Name	Pcs.
1	UA-S-C	Holder	2
3	TU-D20-d8-15	Spacer roll	4
4	AN-FSH 8	Nut flange serrat DIN6923 Zn	2
2	AN-FSH 6	Nut flange serrat DIN6923 Zn	4

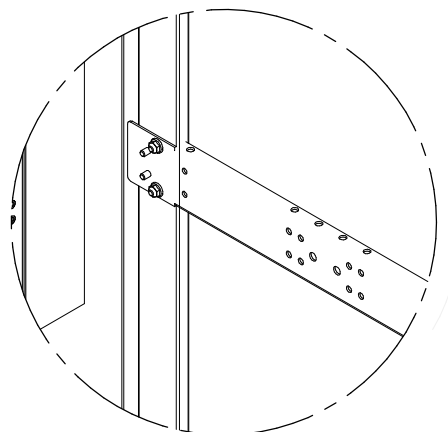
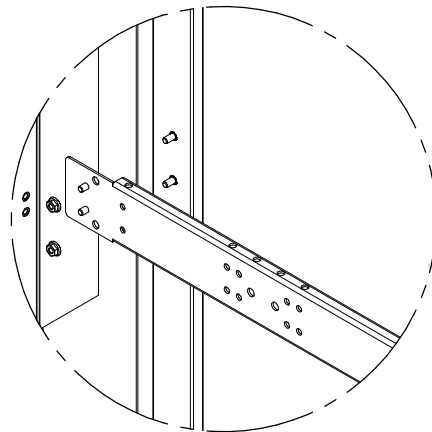
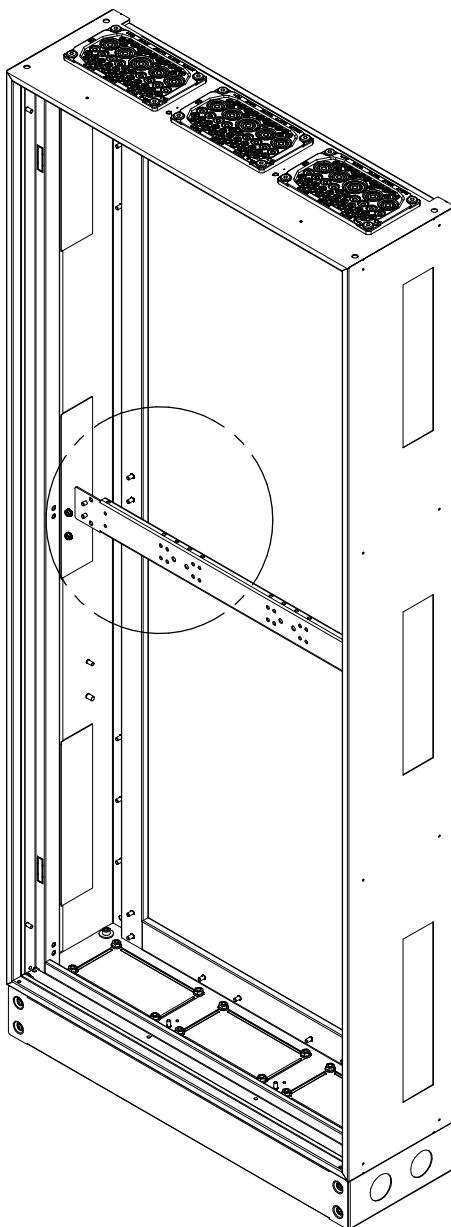


BL-UA



BL-UA 2 001338130			
No.	Type ETI	Name	Pcs.
1	BL-UA-2-C	Stiffening bars	1
2	AN-FSH 6	Nut flange serrat DIN6923 Zn	2

BL-UA 3 001338131			
No.	Type ETI	Name	Pcs.
1	BL-UA-3-C	Stiffening bars	1
2	AN-FSH 6	Nut flange serrat DIN6923 Zn	2

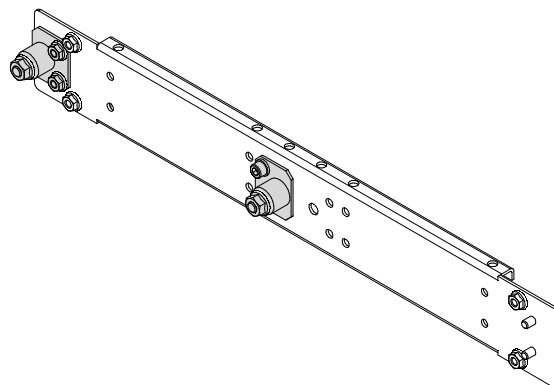
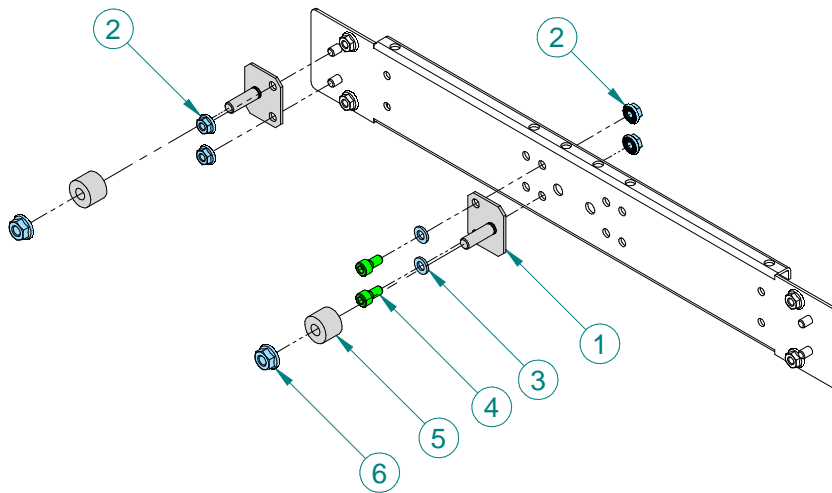
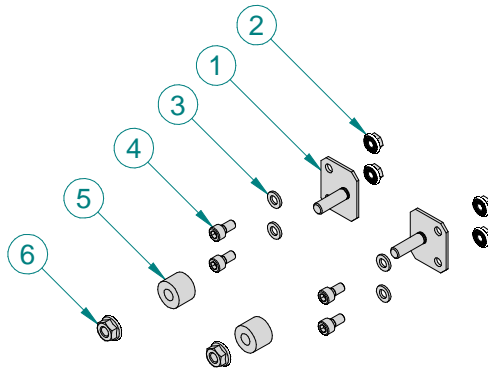




**BU-PM**

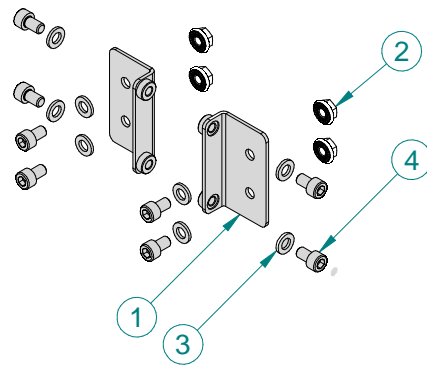
001338160

BU-PM 001338160			
No.	Type ETI	Name	Pcs.
1	BU-PM-C	Holder	2
2	AN-FSH 6	Nut flange serrat DIN6923 Zn	4
3	AW-R 6	Washer M6 DIN126 Zn	4
4	AS-SH 6x10	Screw M6x10 DIN912 Zn	4
5	TU-D20-d8-15	Spacer roll	2
6	AN-FSH 8	Nut flange serrat DIN6923 Zn	2

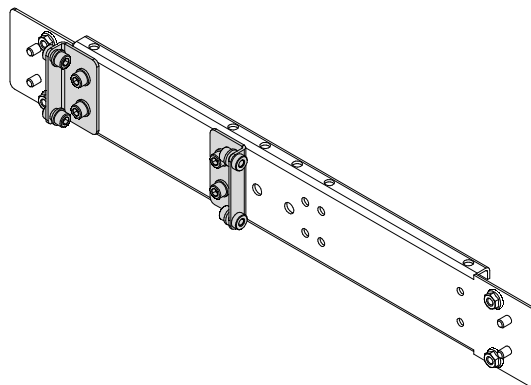
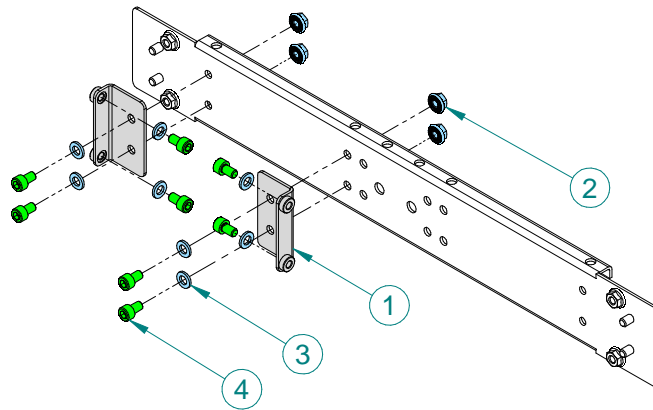


BU-WD

001338161

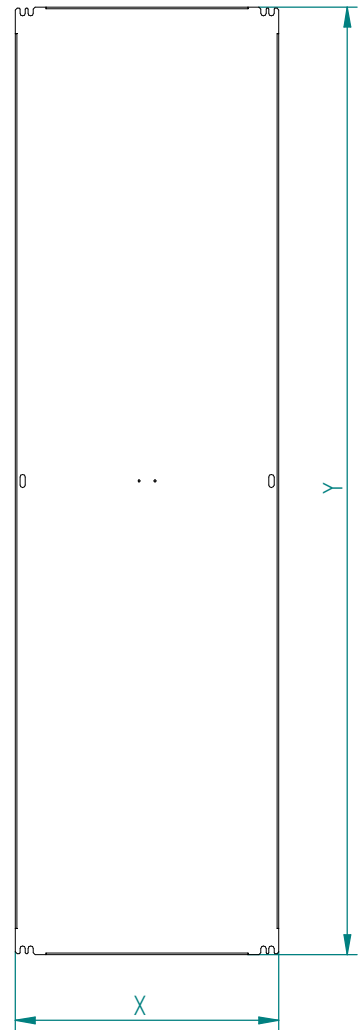
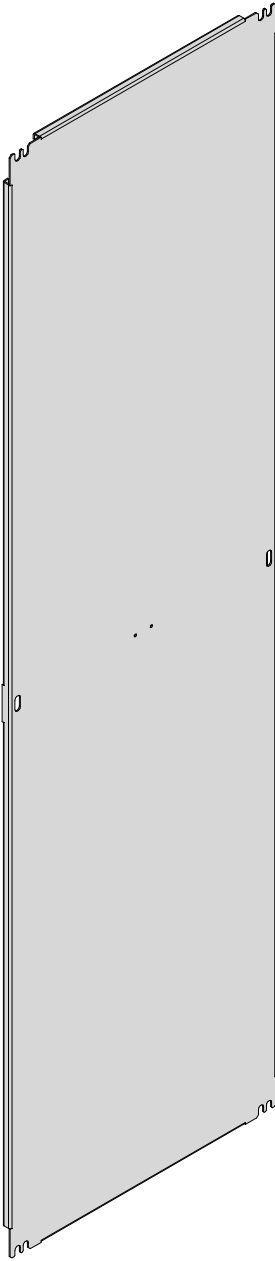


BU-WD 001338161			
No.	Type ETI	Name	Pcs.
1	BU-WD-C	Holder	2
2	AN-FSH 6	Nut flange serrat DIN6923 Zn	4
3	AW-R 6	Washer M6 DIN126 Zn	8
4	AS-SH 6x10	Screw M6x10 DIN912 Zn	8



PM-G

Code No	Type	X [mm]	Y [mm]
001337963	PM-G 1-12	248	1790
001337965	PM-G 2-12	498	1790
001337967	PM-G 3-12	748	1790
001337969	PM-G 4-12	998	1790

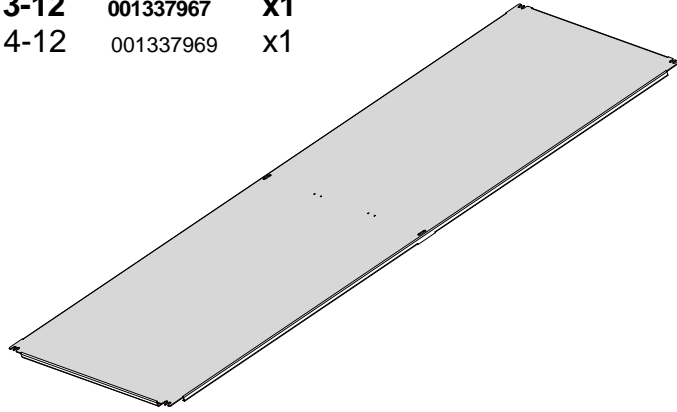


**PM-G x-12**

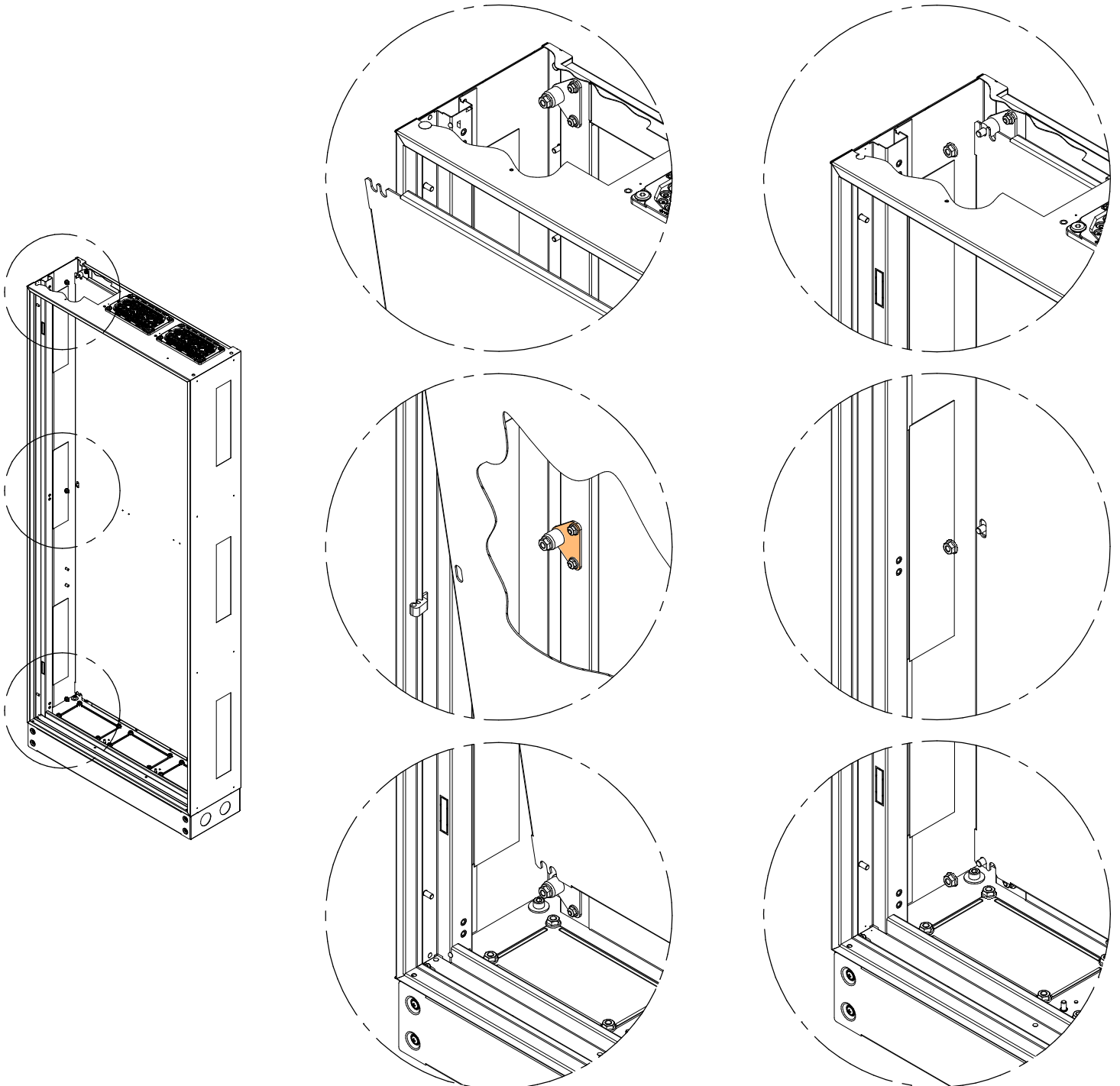
**assembling option 1 - fixed**

PM-G 2-12	001337965	x1
<b>PM-G 3-12</b>	<b>001337967</b>	<b>x1</b>
PM-G 4-12	001337969	x1

UA-B 001338102 x3 (page 23)



**PM-G 3-12 + UA-B**



**PM-G x-12**

**assembling option 2 - fixed**

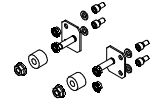
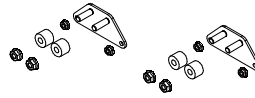
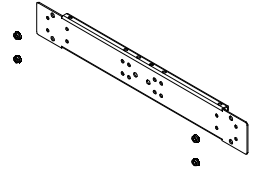
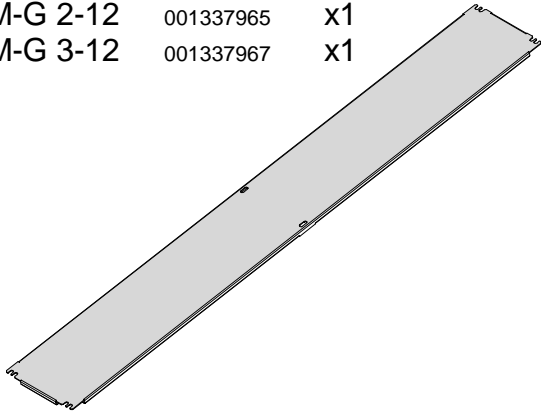
<b>PM-G 1-12</b>	001337963	<b>x1</b>
PM-G 2-12	001337965	x1
PM-G 3-12	001337967	x1

UA-B 001338102 x1 (page 23)

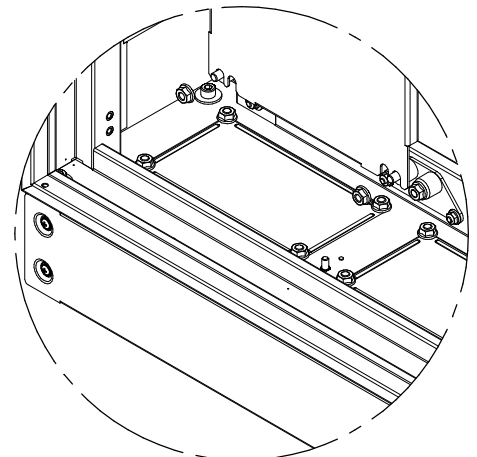
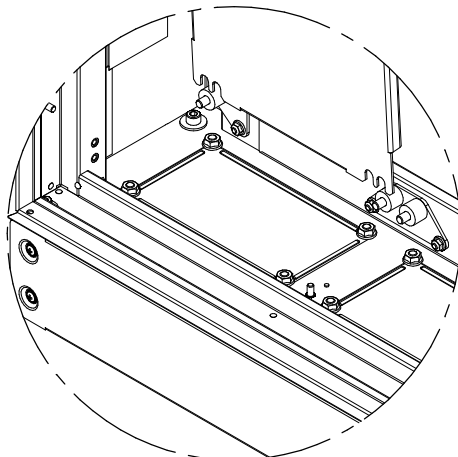
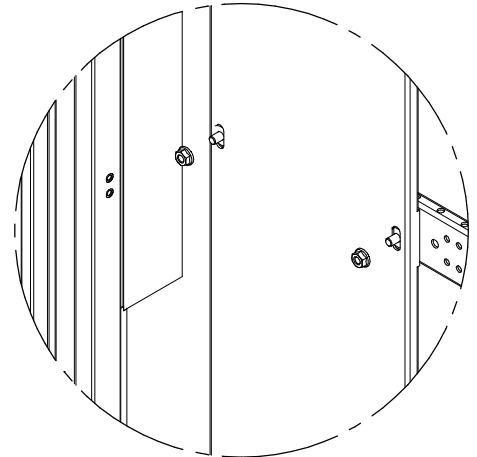
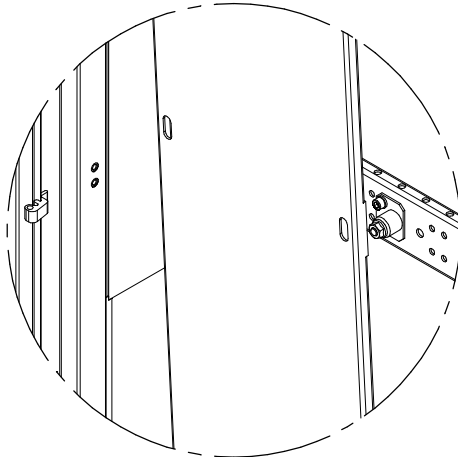
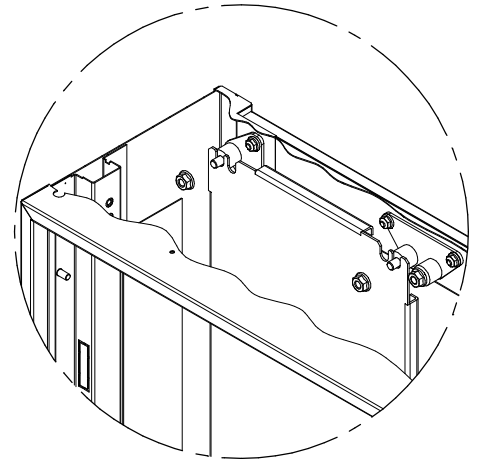
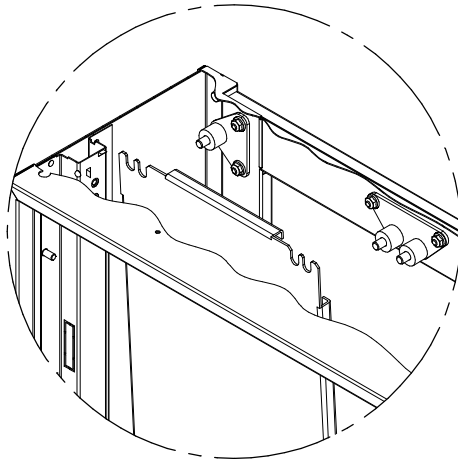
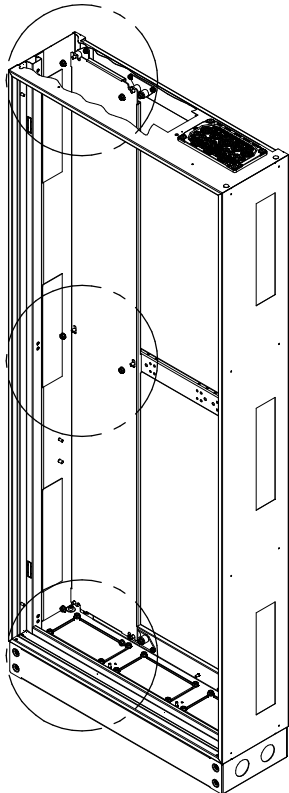
BL-UA 2 001338130 x1 (page 29)  
 BL-UA 3 001338131 x1 (page 29)  
 BL-UA 4 001338132 x1 (page 29)

UA-S 001338104 x1 (page 25)

BU-PM 001338160 x1 (page 31)

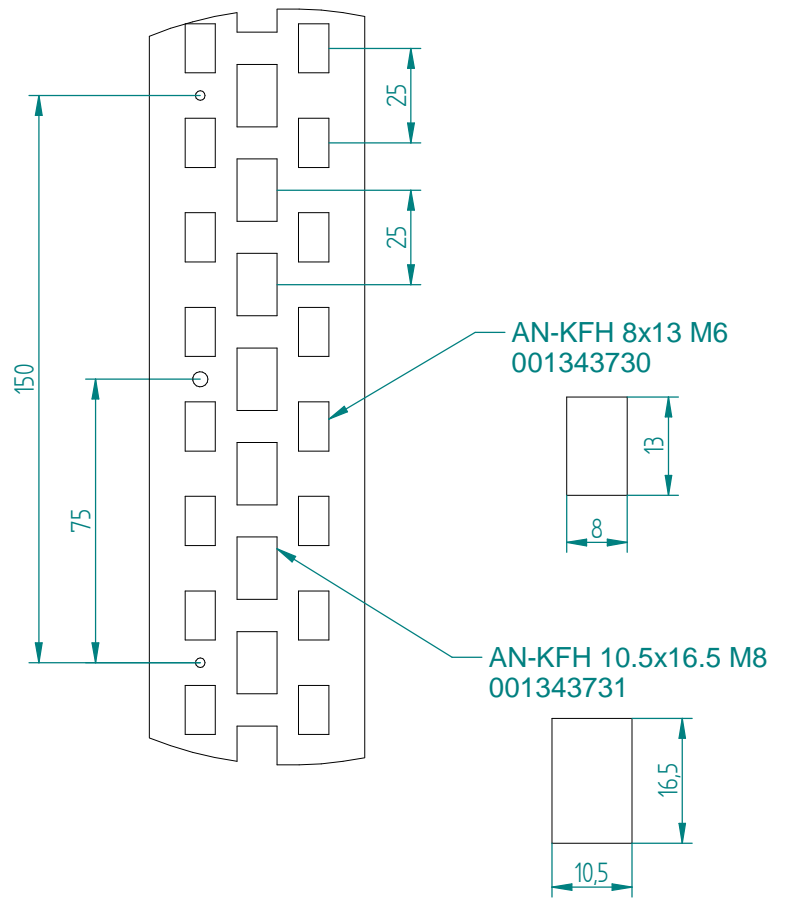
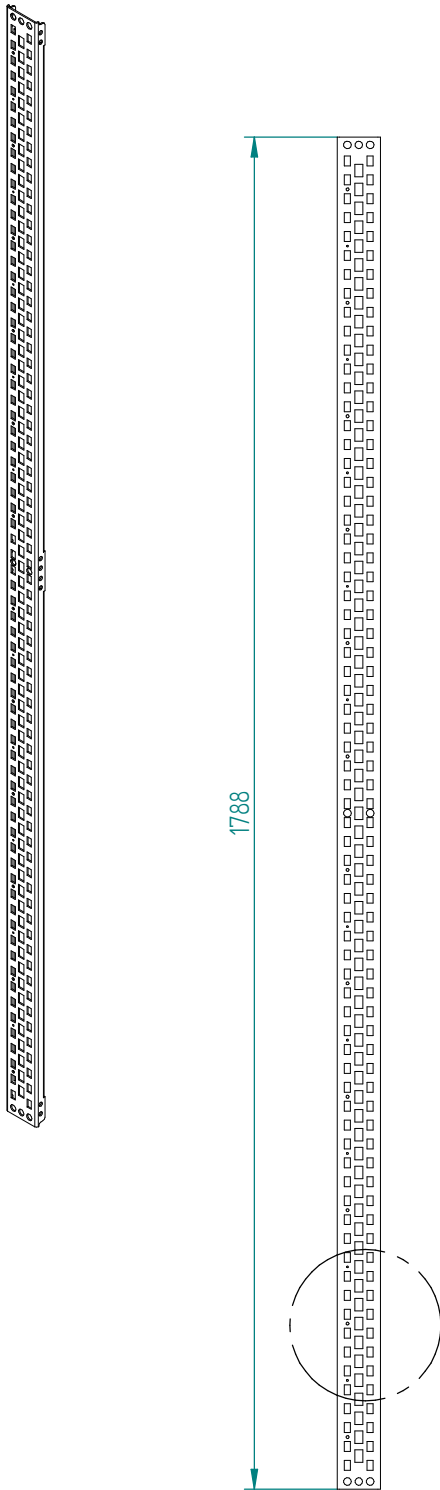


**PM-G 1-12 + UA-B + UA-S + BL-UA 3 + BU-PM**



WD-K 12

001338864

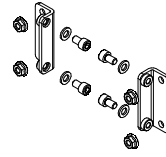
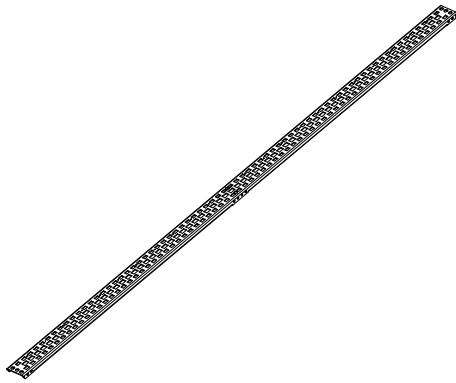


**WD-K 12**

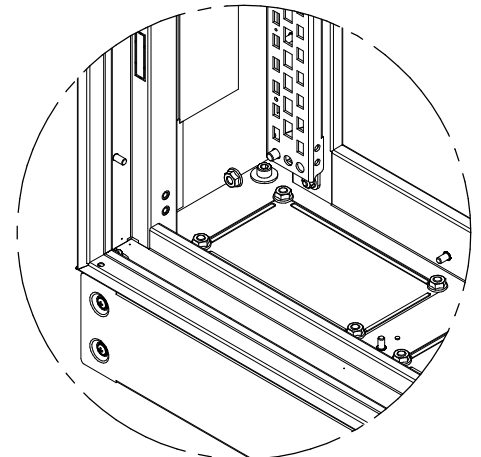
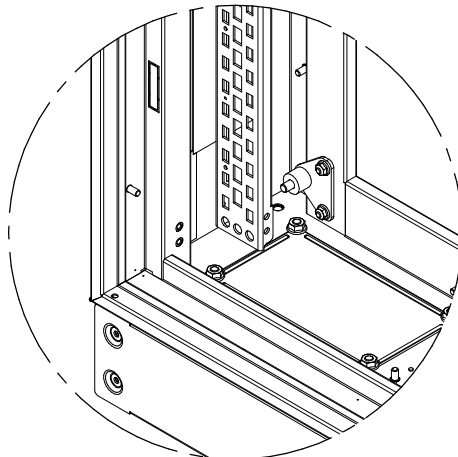
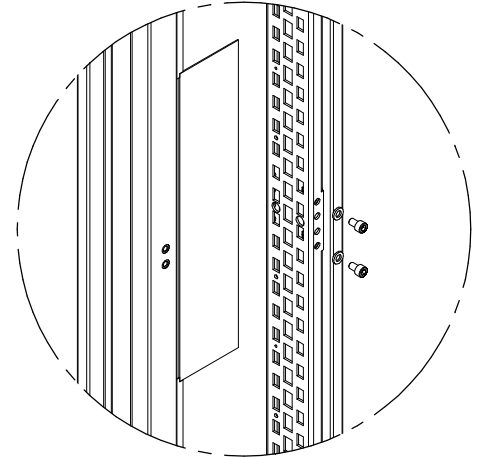
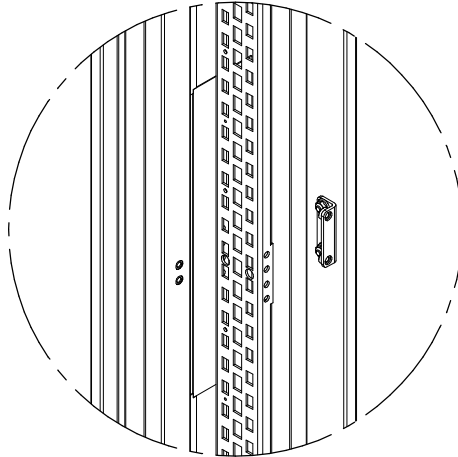
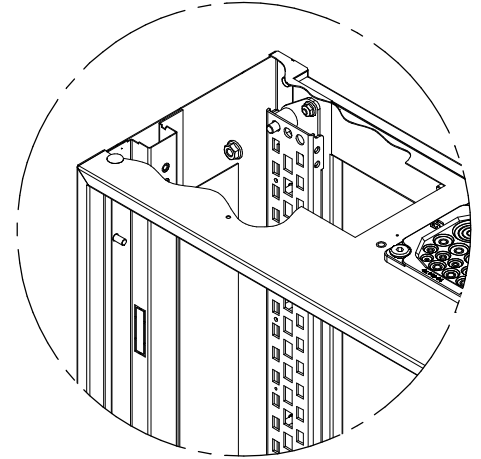
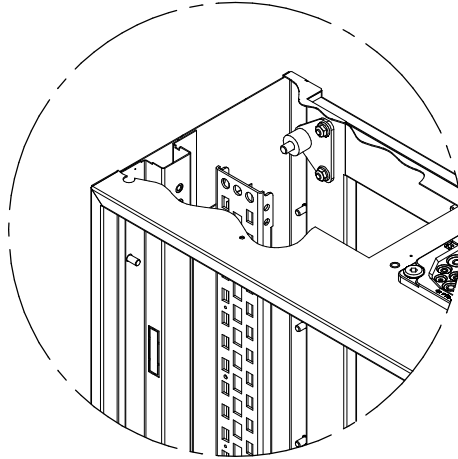
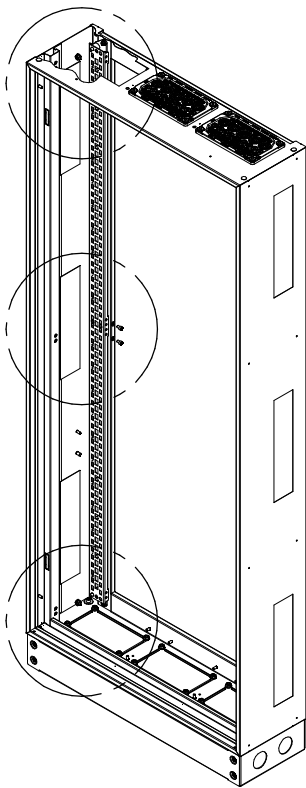
**assembling option 1 - fixed**

**WD-K 12** 001338864 x1

UA-B-WD 001338103 x1 (page 24) UA-B 001338102 x1 (page 23)



**WD-K 12 + UA-B-WD + UA-B**



**WD-K 12**

**assembling option 2 - fixed**

**WD-K 12** 001338864 x2

UA-B 001338102 x1 (page 23)

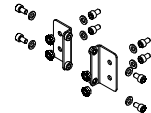
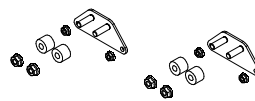
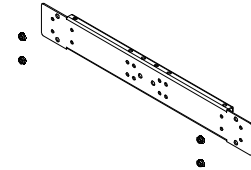
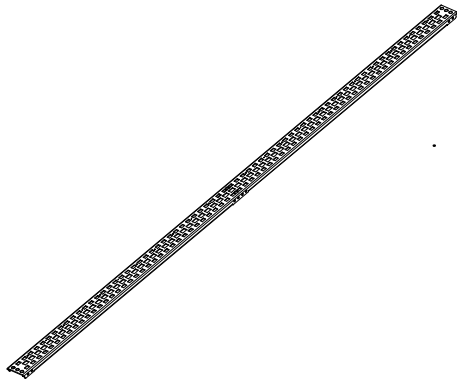
BL-UA 2 001338130 x1 (page 29)

BL-UA 3 **001338131** x1 (page 29)

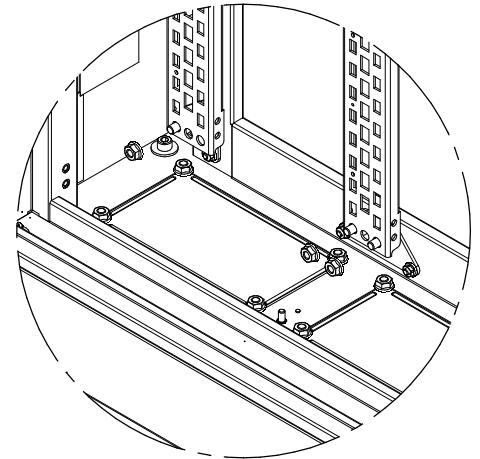
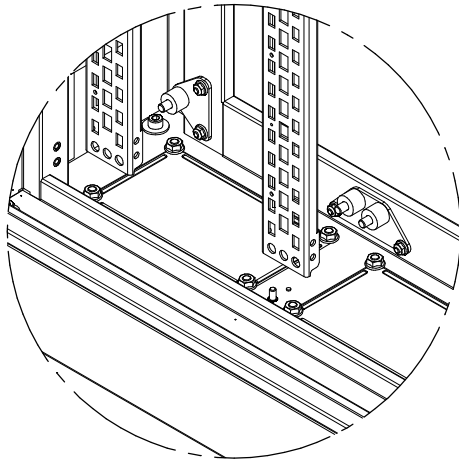
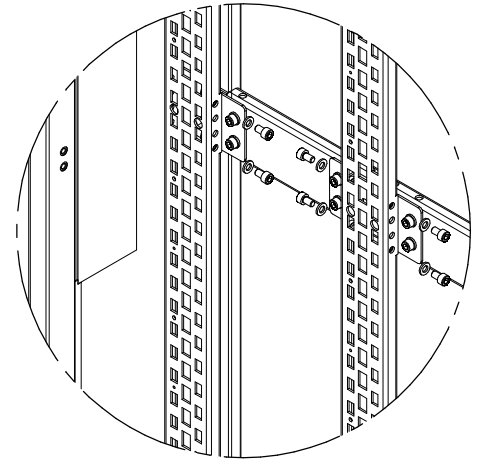
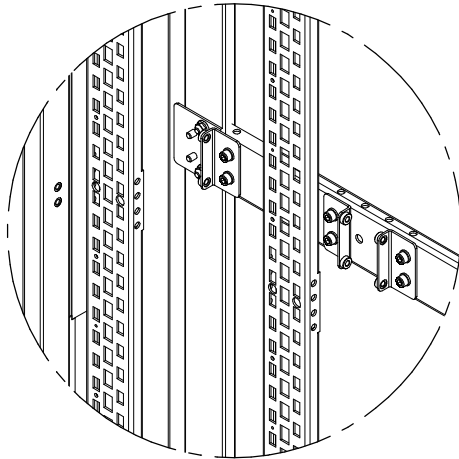
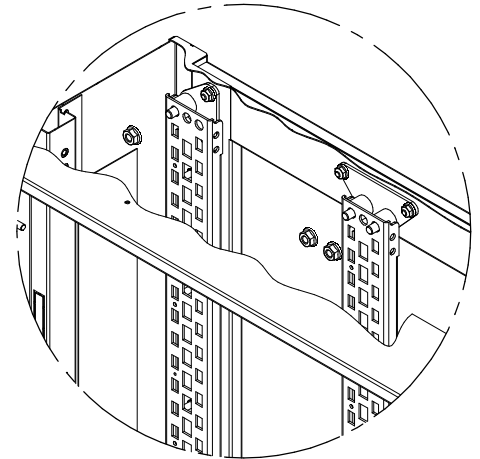
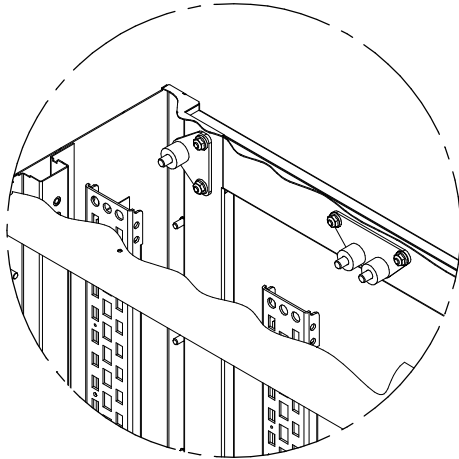
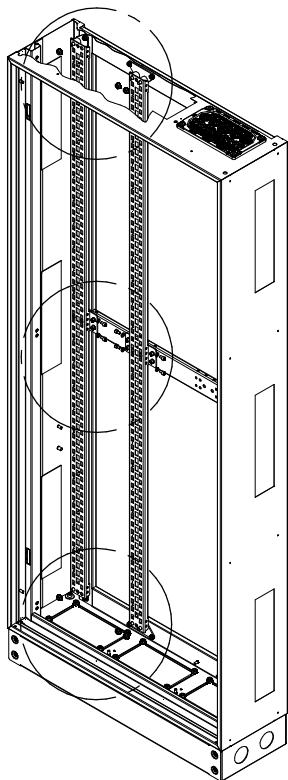
BL-UA 4 001338132 x1 (page 29)

UA-S 001338104 x1 (page 25)

BU-WD 001338161 x2 (page 32)



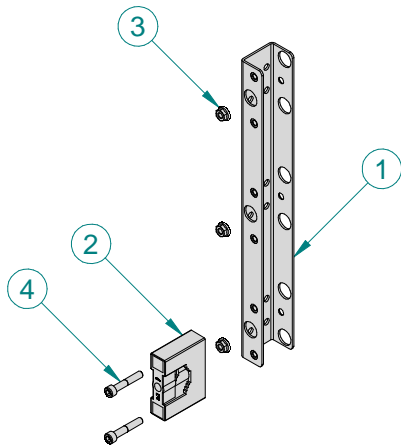
**WD-K 12 + UA-B + UA-S + BL-UA 3 + BU-WD**



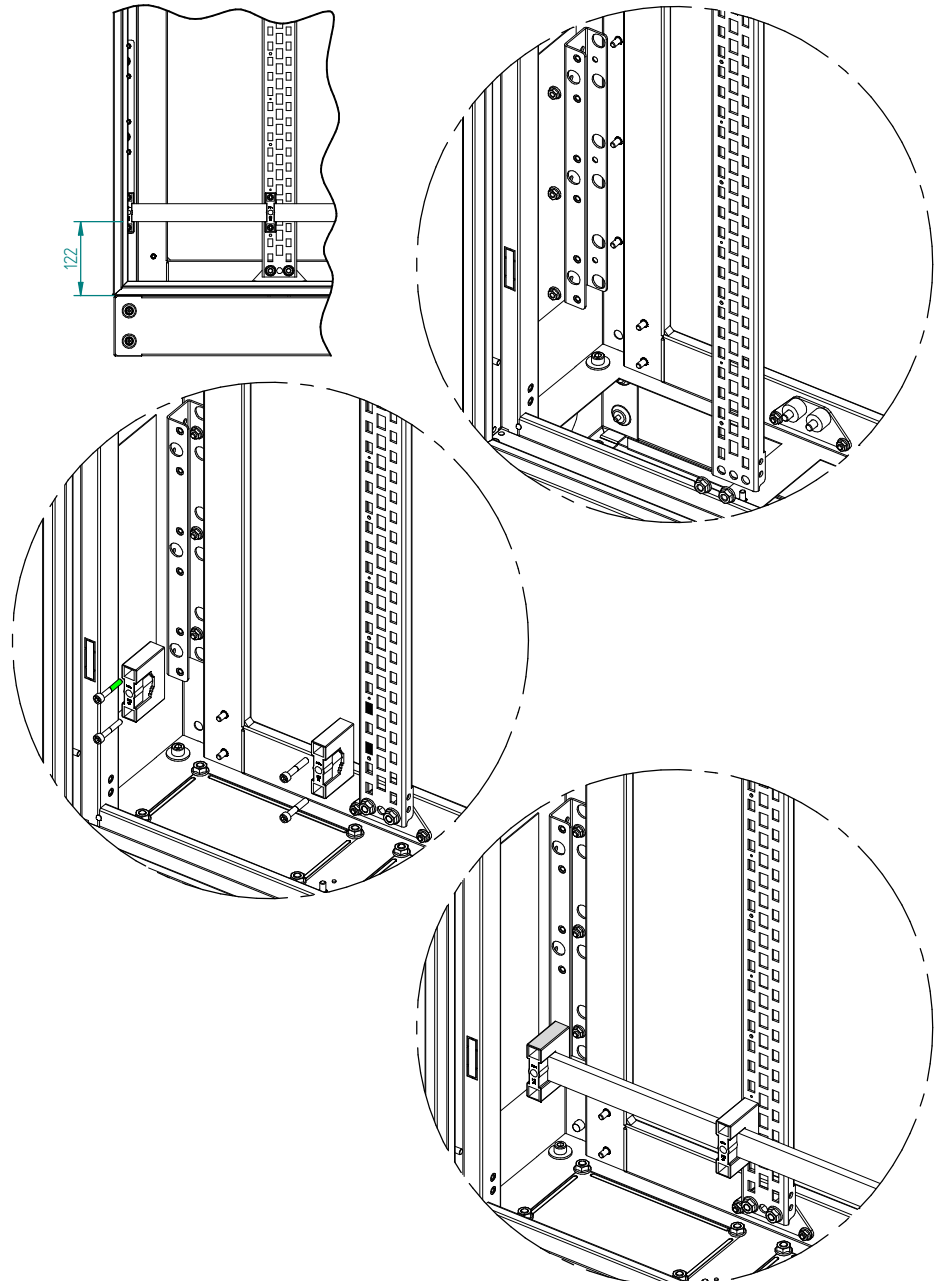
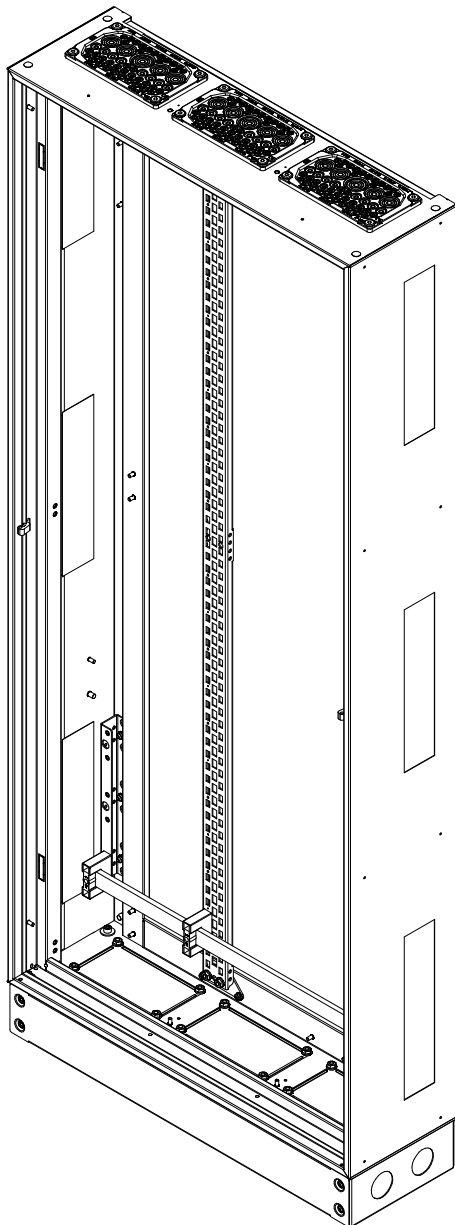


UD-B60-H P1

001341800



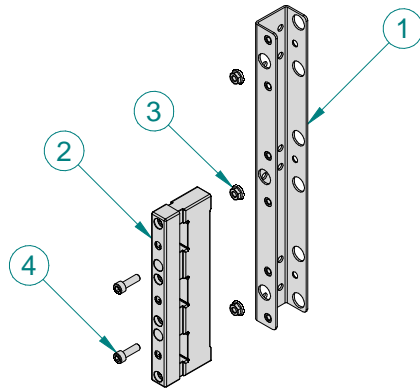
UD-B60-H P1 001341800			
No.	Type ETI	Name	Pcs.
1	UD-B60-H-C	Support	1
2	SST-60/1	Holder	1
3	AN-FSH 6	Nut flange serrat DIN6923 Zn	3
4	AS-SH 6x35	Screw M6x35 DIN912 Zn	2



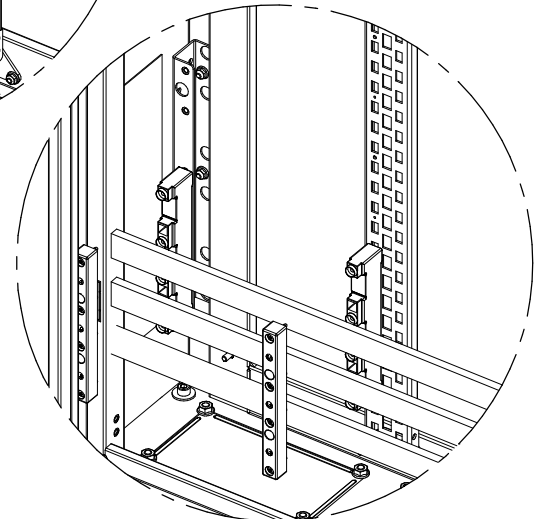
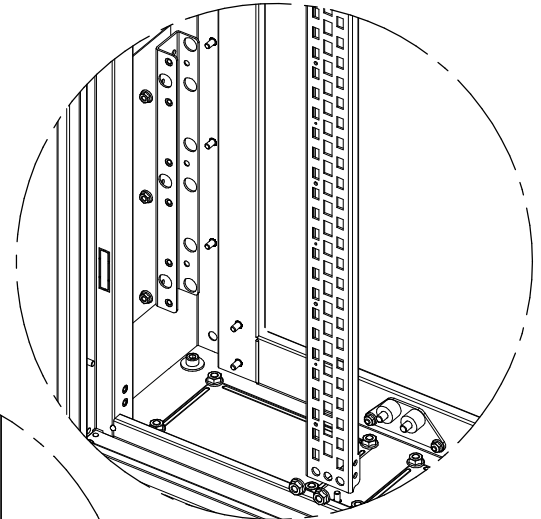
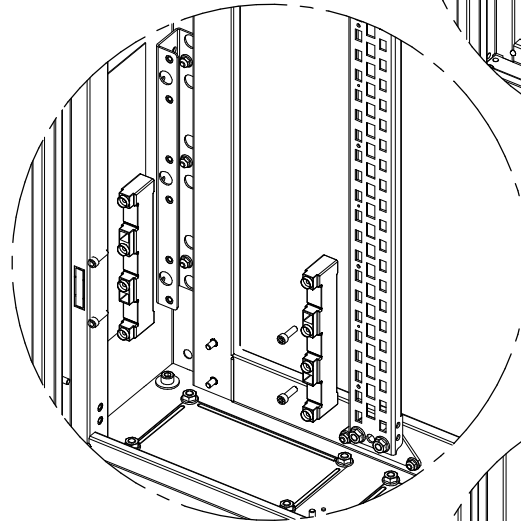
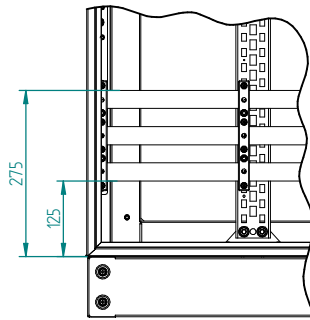
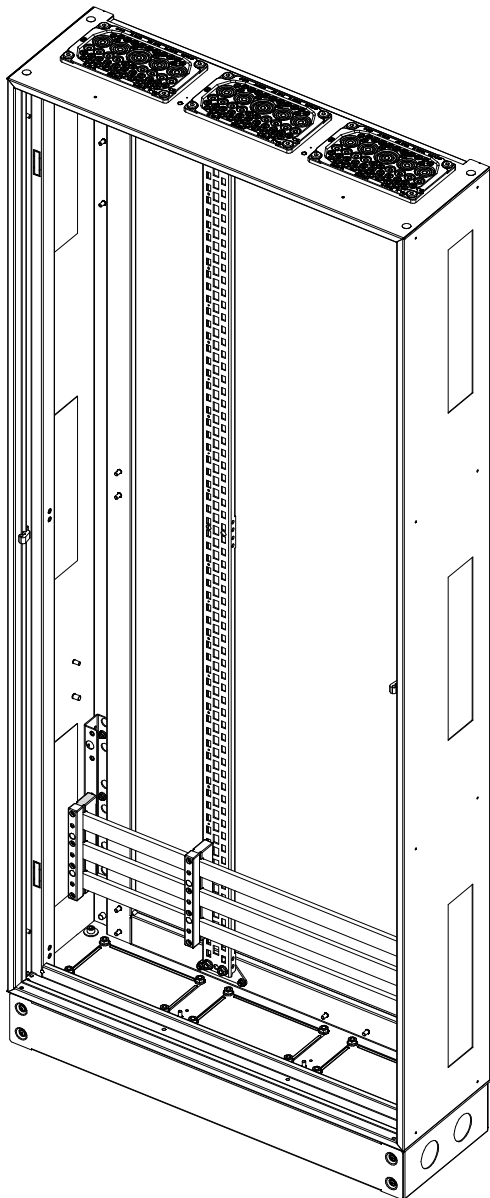
UD-B60-H P3

001341802

UD-B60-H P3 001341802			
No.	Type ETI	Name	Pcs.
1	UD-B60-H-C	Support	1
2	SST-60/3	Holder	1
3	AN-FSH 6	Nut flange serrat DIN6923 Zn	3
4	AS-SH 6x20	Screw M6x20 DIN912 Zn	2



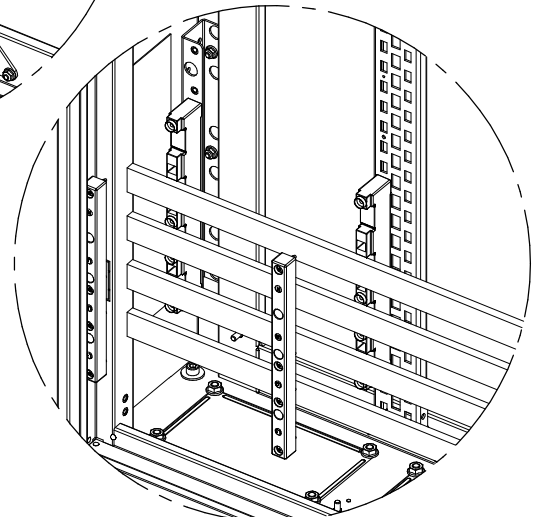
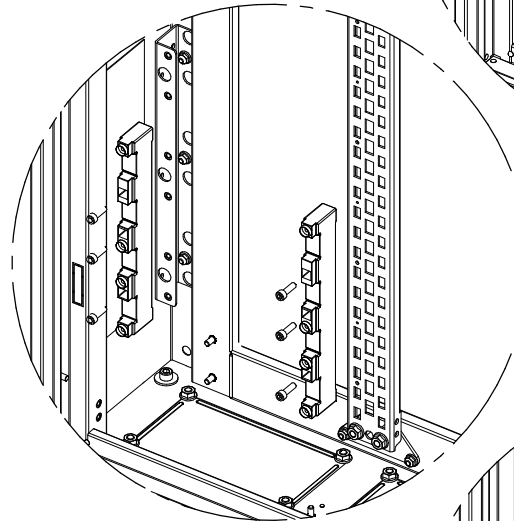
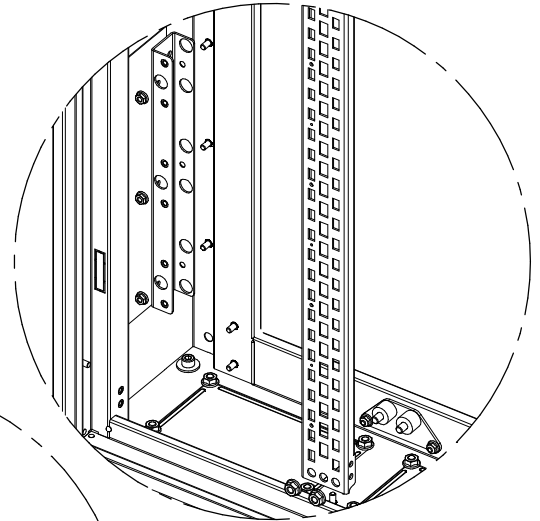
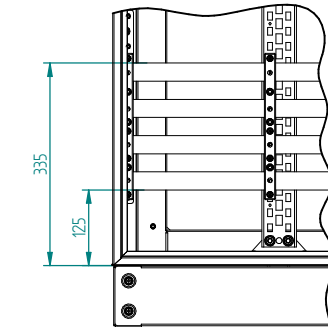
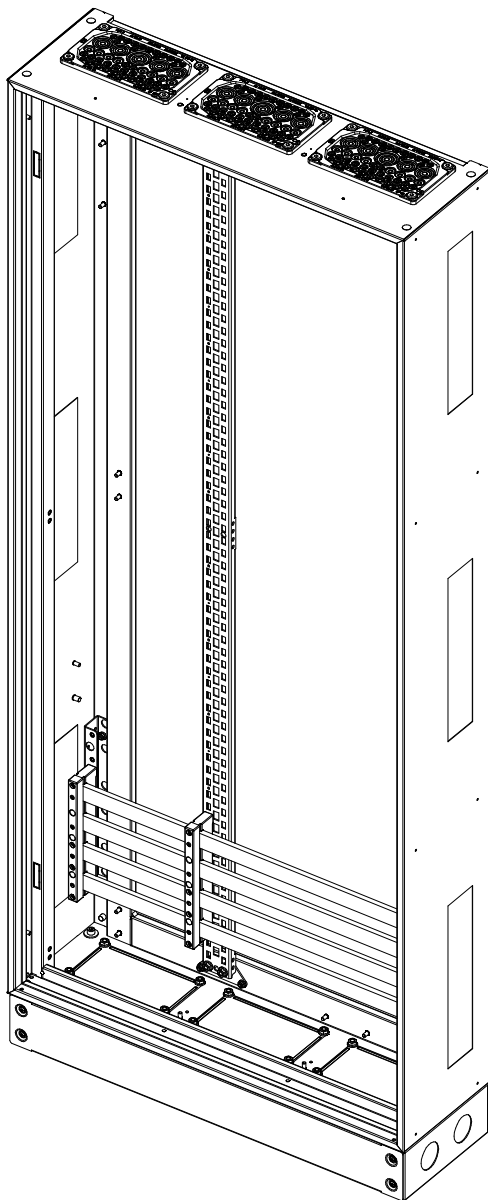
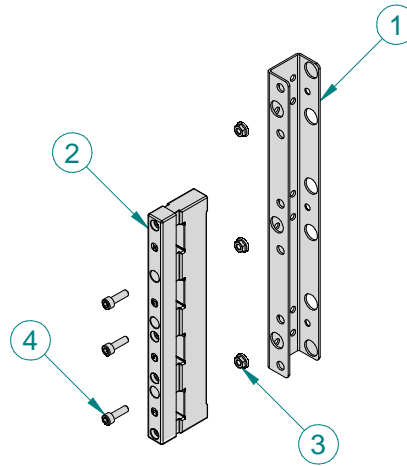
Position 1



UD-B60-H P4

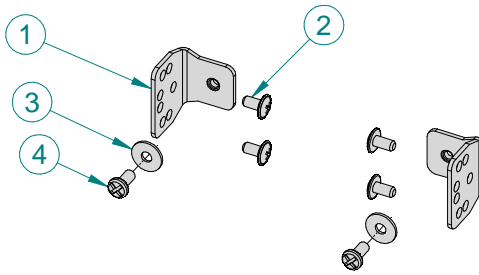
001341803

UD-B60-H P4 001341803			
No.	Type ETI	Name	Pcs.
1	UD-B60-H-C	Support	1
2	SST-60/4	Holder	1
3	AN-FSH 6	Nut flange serrat DIN6923 Zn	3
4	AS-SH 6x20	Screw M6x20 DIN912 Zn	3



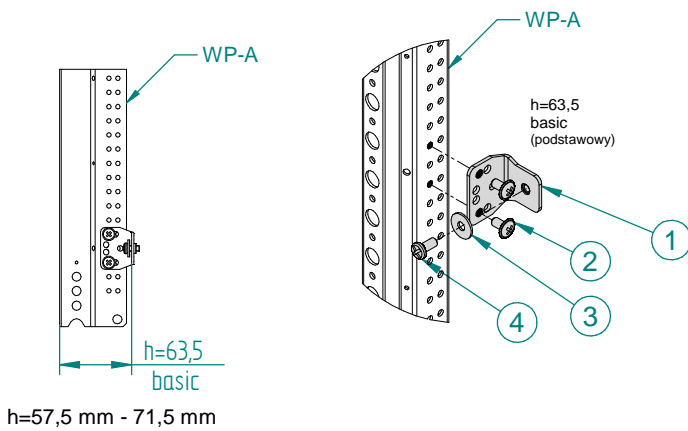
**LG-V SET**

001101683

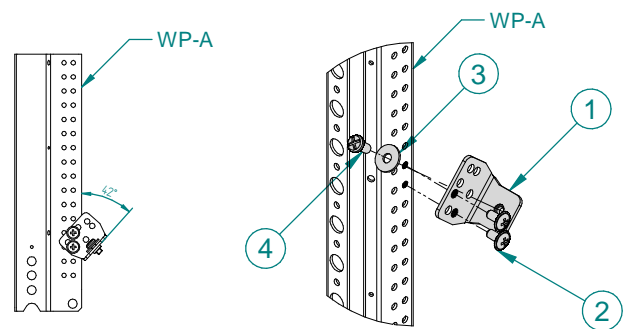


LG-V SET 001101683			
No.	Type ETI	Name	Pcs.
1	LG-V	Support	2
2	AST 4.8x9.5	Tapping screw	4
3	AW-RE 5	Washer M5 DIN9021 Zn	2
4	AS-C 5x10	Screw M5x10 DIN7985 Zn	2

Position 1

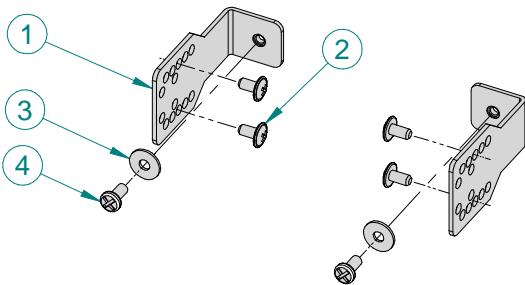


Position 2



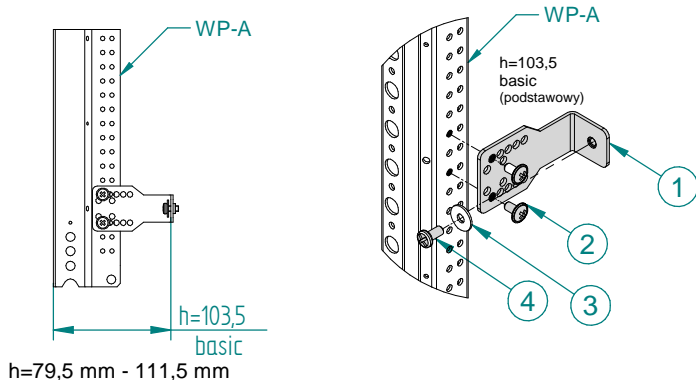
**LG-V5 SET**

001101685

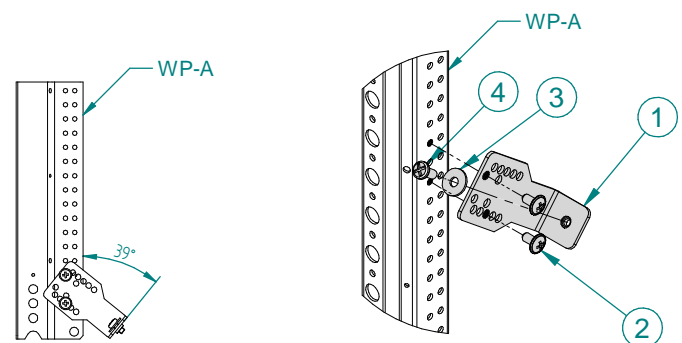


LG-V5 SET 001101685			
No.	Type ETI	Name	Pcs.
1	LG-V5	Support	2
2	AST 4.8x9.5	Tapping screw	4
3	AW-RE 5	Washer M5 DIN9021 Zn	2
4	AS-C 5x10	Screw M5x10 DIN7985 Zn	2

Position 1

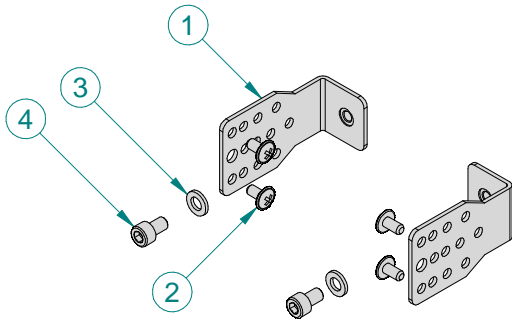


Position 2

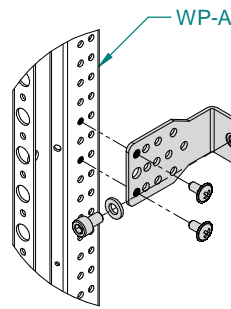
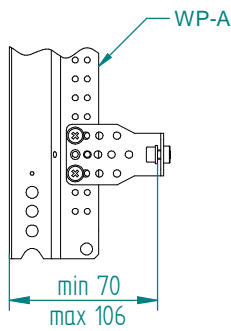


**LG-V6-B SET**

001341151

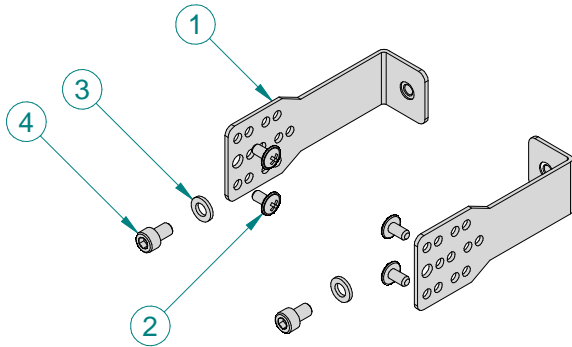


LG-V6-B SET 001341151			
No.	Type ETI	Name	Pcs.
1	LG-V6-B	Support	2
2	AST 4.8x9.5	Tapping screw	4
3	AW-R 6	Washer M6 DIN126 Zn	2
4	AS-SH 6x10	Screw M6x10 DIN912	2

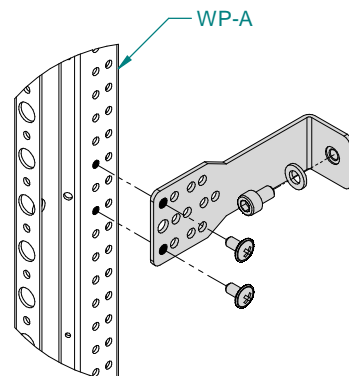
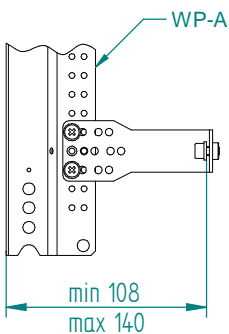


**LG-V6-D SET**

001341153



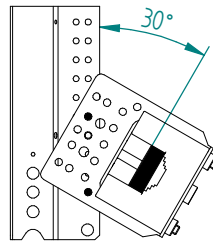
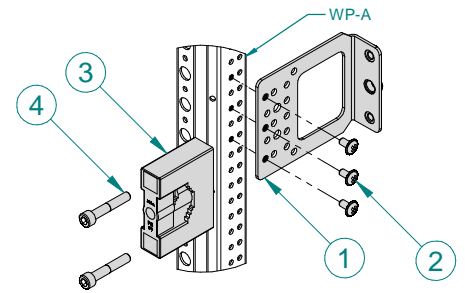
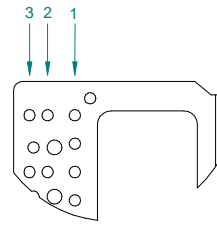
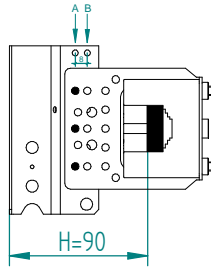
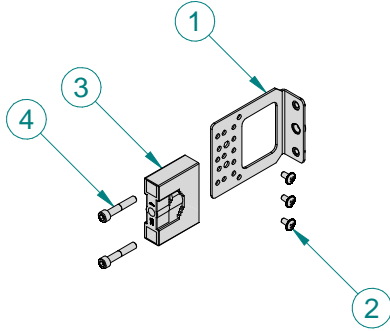
LG-V6-D SET 001341153			
No.	Type ETI	Name	Pcs.
1	LG-V6-D	Support	2
2	AST 4.8x9.5	Tapping screw	4
3	AW-R 6	Washer M6 DIN126 Zn	2
4	AS-SH 6x10	Screw M6x10 DIN912	2



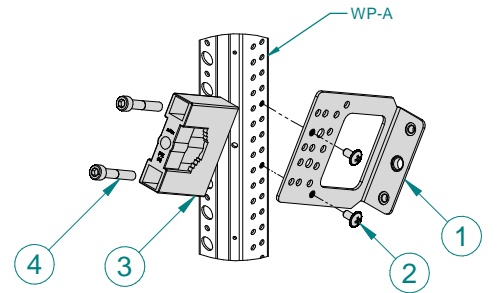
**LG-B60-H P1**

001341650

LG-B60-H P1 001341650			
No.	Type ETI	Name	Pcs.
1	LG-B60-H P1-C	Support	1
2	AST 4.8x9.5	Tapping screw	3
3	BBS-60/1	Busbar support	1
4	AS-SH 6x35	Screw M6x35 DIN912	2



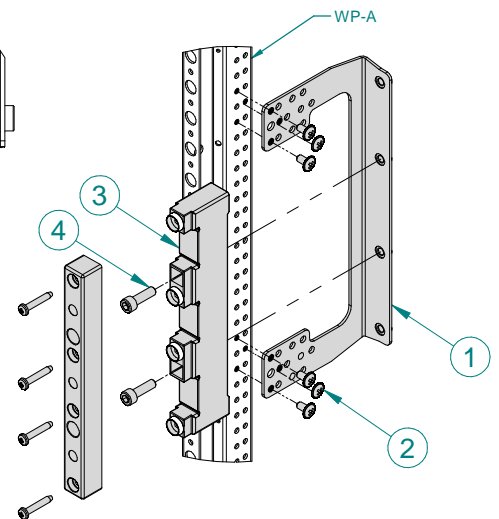
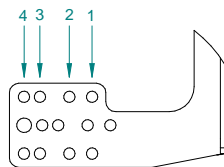
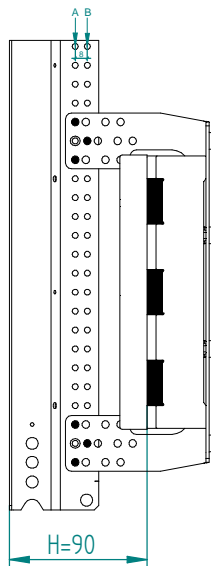
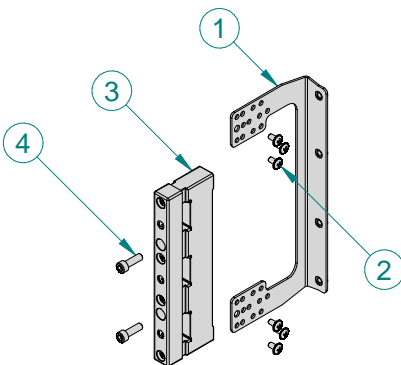
LG-B60-H P1		
Position	H	
1	70 mm	78 mm
2	83 mm	91 mm
3	90 mm	98 mm



**LG-B60-H P3**

001341651

LG-B60-H P3 001341651			
No.	Type ETI	Name	Pcs.
1	LG-B60-H P3-C	Support	1
2	AST 4.8x9.5	Tapping screw	6
3	BBS-60/3	Busbar support	1
4	AS-SH 6x20	Screw M6x20 DIN912	2

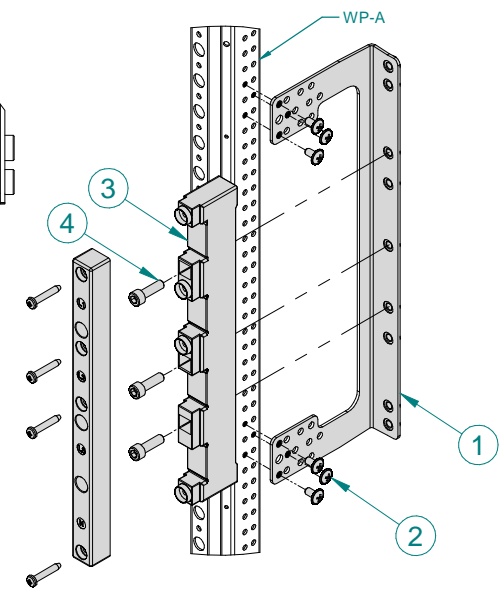
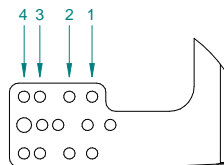
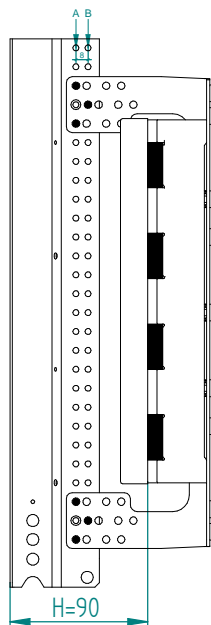
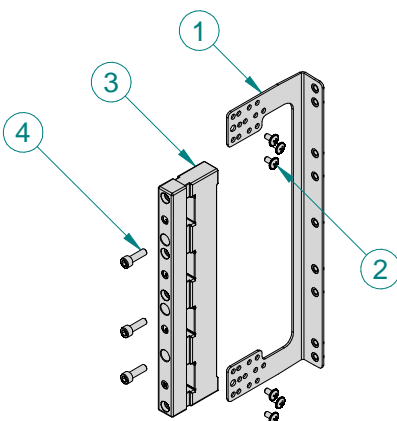


LG-B60-H P3		
Position	H	
1	60 mm	68 mm
2	70 mm	78 mm
3	83 mm	91 mm
4	90 mm	98 mm

**LG-B60-H P4**

001341652

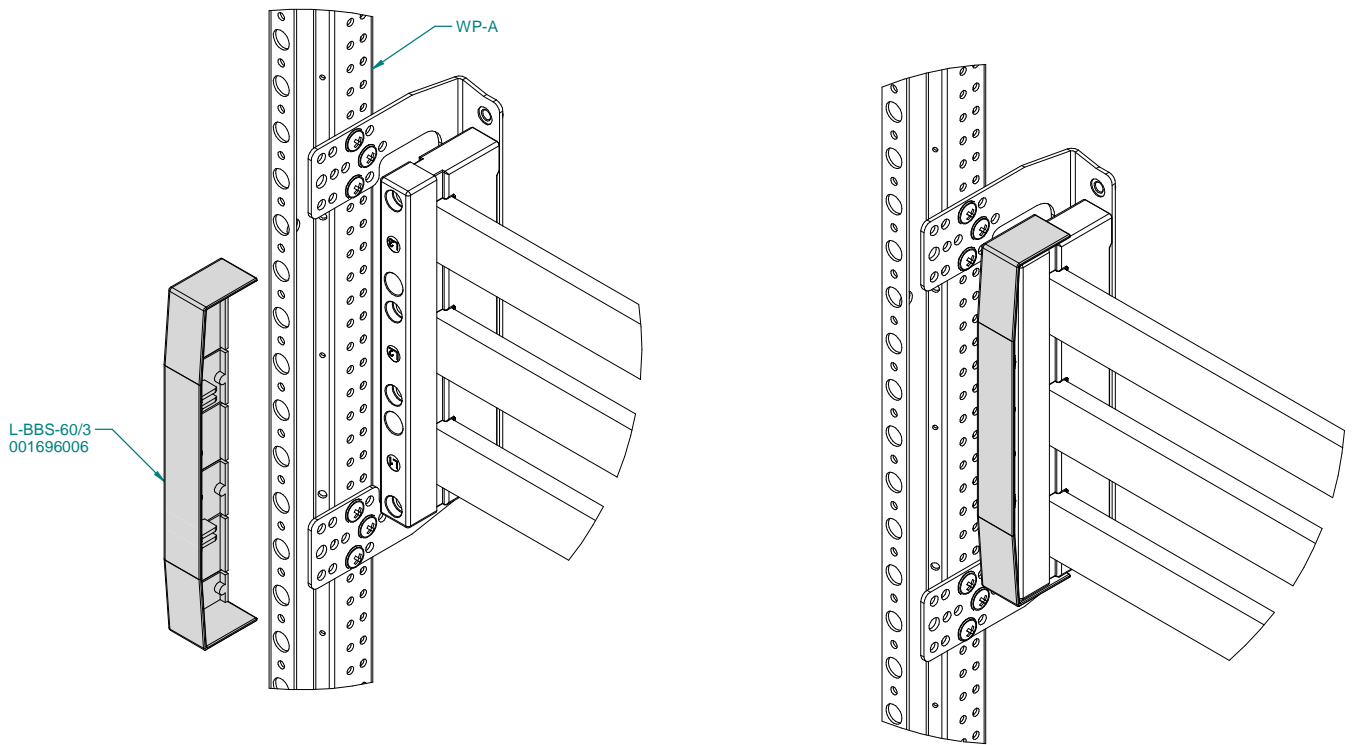
LG-B60-H P4 001341652			
No.	Type ETI	Name	Pcs.
1	LG-B60-H P4-C	Support	1
2	AST 4.8x9.5	Tapping screw	6
3	BBS-60/4	Busbar support	1
4	AS-SH 6x20	Screw M6x20 DIN912	3



LG-B60-H P4		
Position	H	
1	60 mm	68 mm
2	70 mm	78 mm
3	83 mm	91 mm
4	90 mm	98 mm

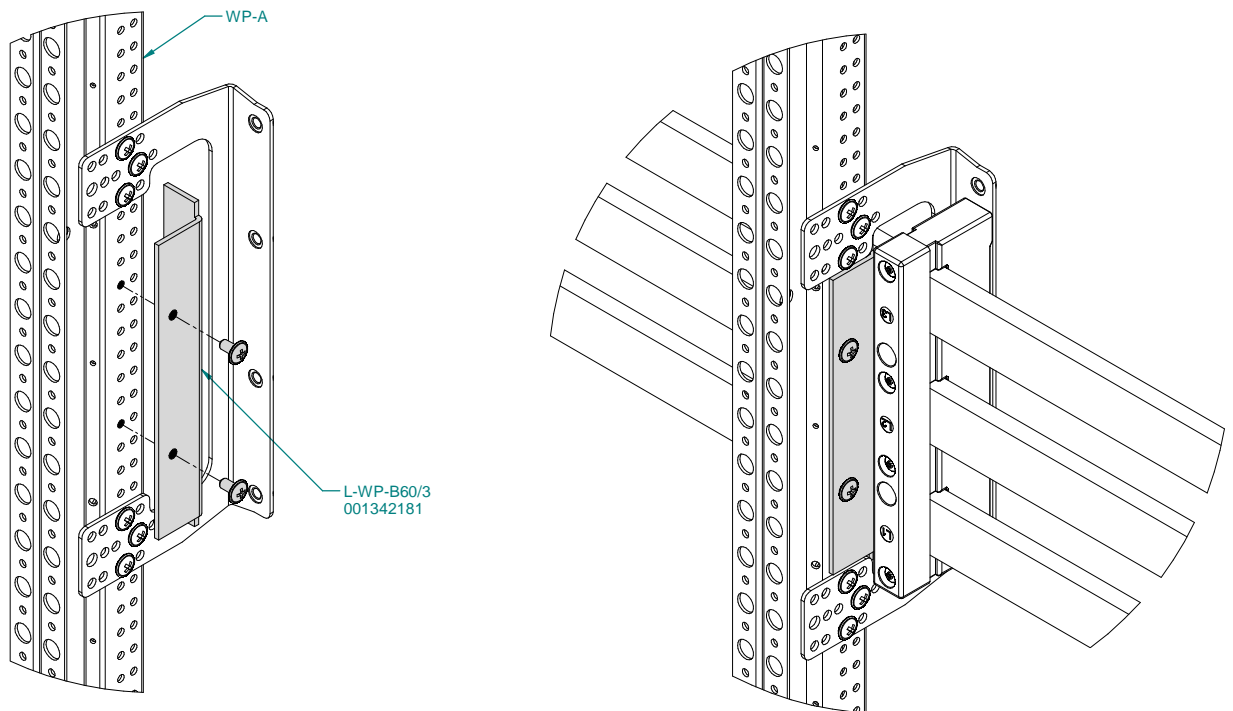
**L-BBS-60/3**

001696006



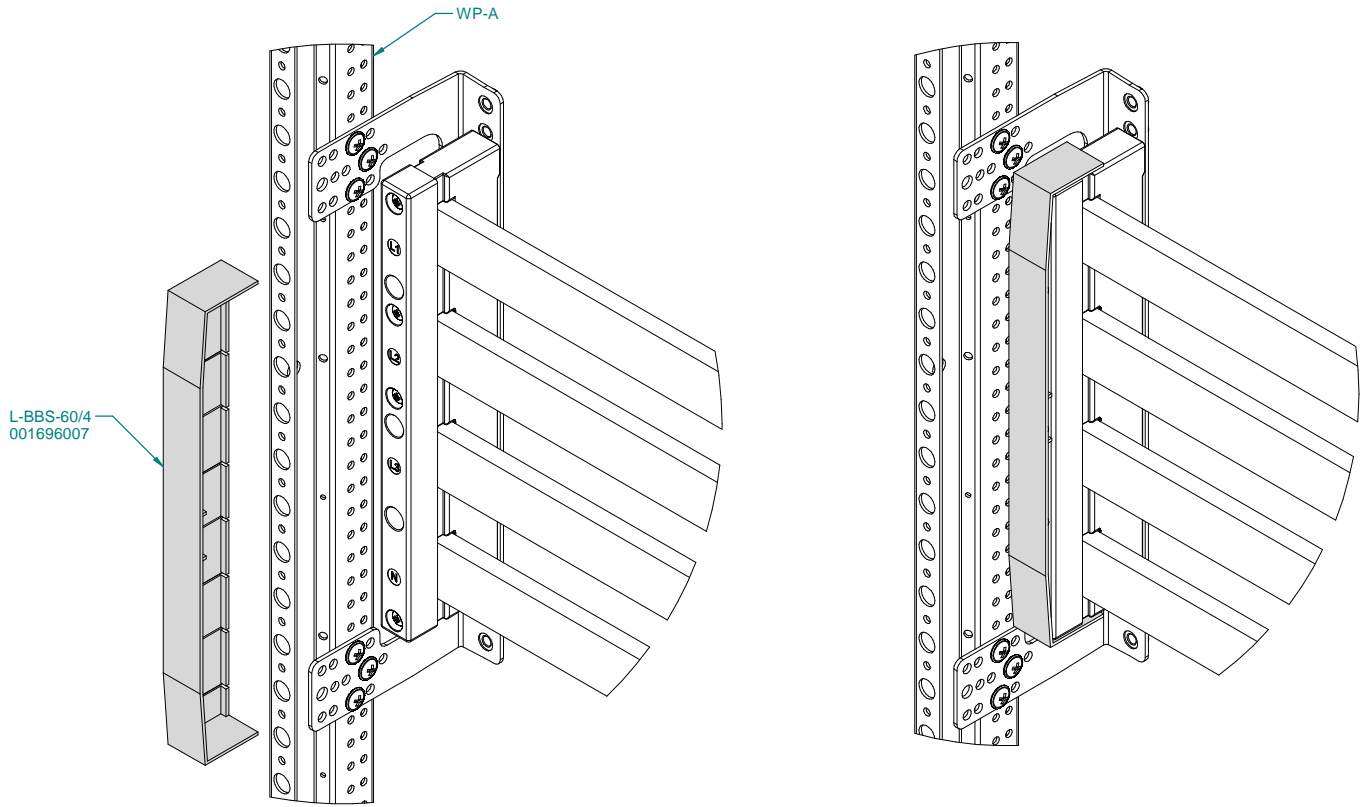
**L-WP-B60/3**

001342181



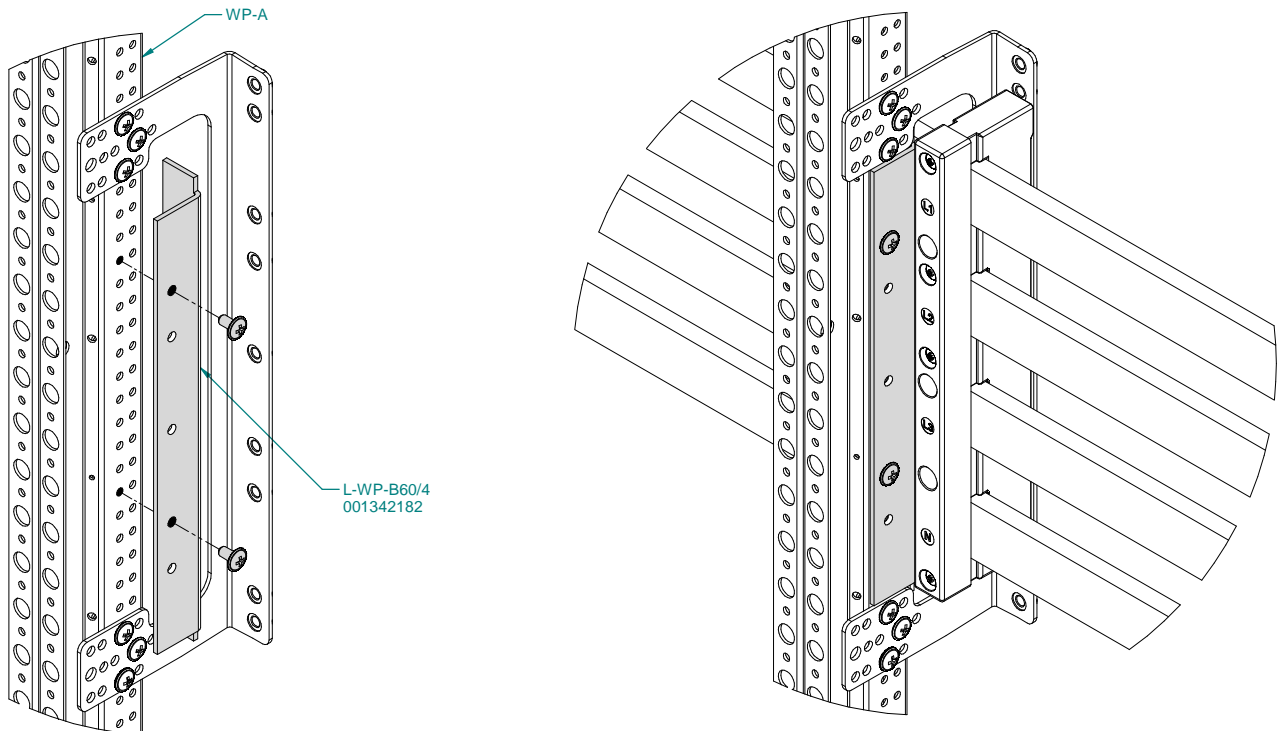
**L-BBS-60/4**

001696007



**L-WP-B60/4**

001342182

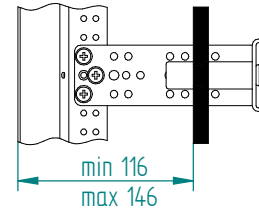
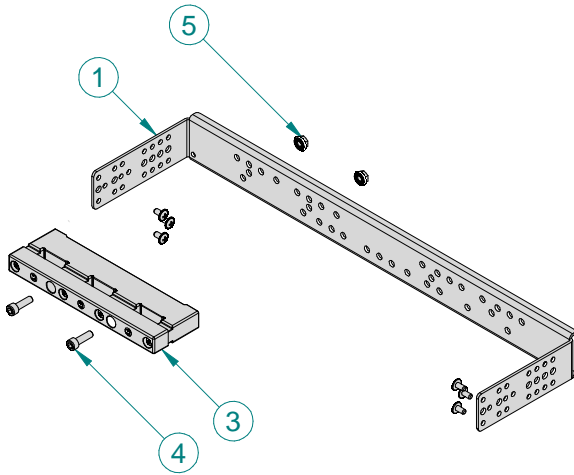
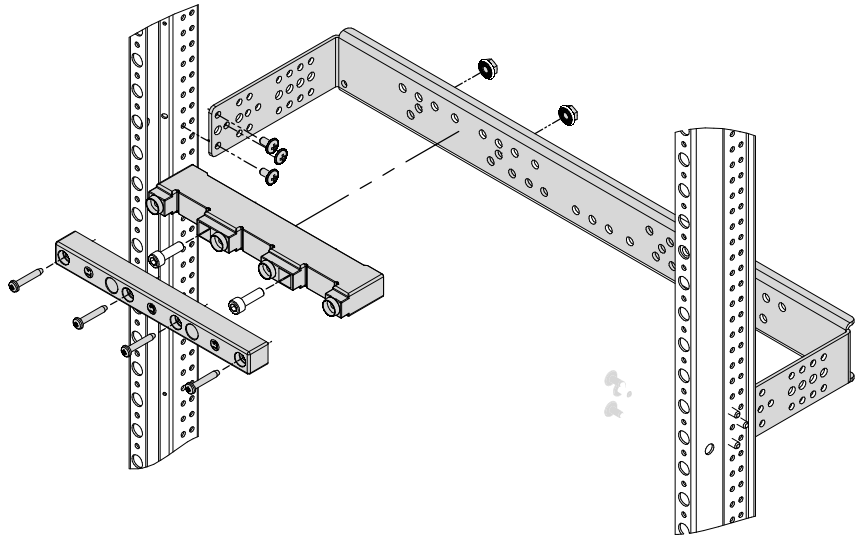




### LG-B60-Vx P3

LG-B60-V1 P3 001341700			
No.	Type ETI	Name	Pcs.
1	LG-B60-V1-C	Holder	1
2	AST 4.8x9.5	Tapping screw	6
3	BBS-60/3	Busbar support	1
4	AS-SH 6x20	Screw M6x20 DIN912	2
5	AN-FSH 6	Nut flange serrat DIN6923 Zn	2

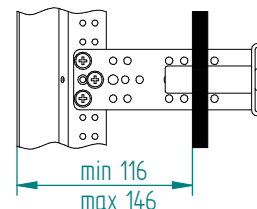
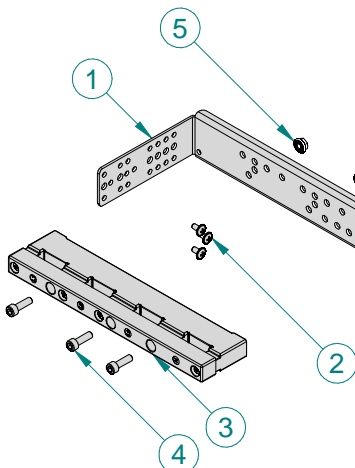
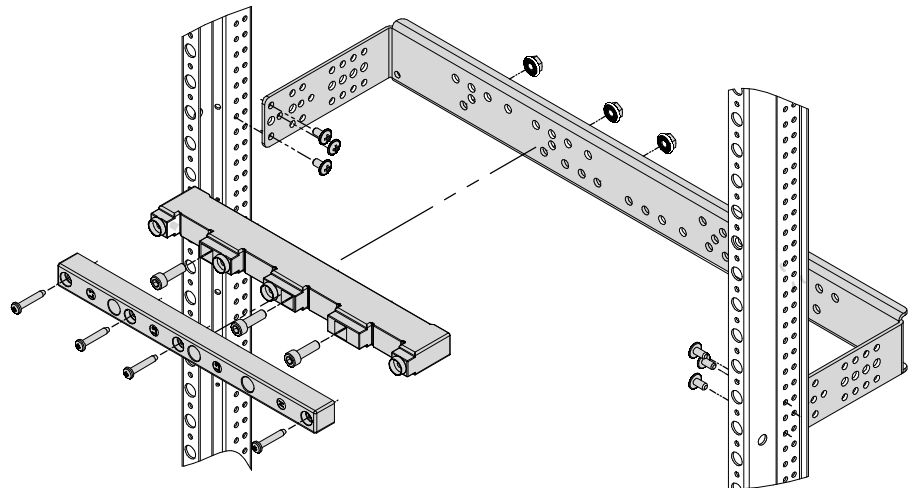
LG-B60-V2 P3 001341702			
No.	Type ETI	Name	Pcs.
1	LG-B60-V2-C	Holder	1
2	AST 4.8x9.5	Tapping screw	6
3	BBS-60/3	Busbar support	1
4	AS-SH 6x20	Screw M6x20 DIN912	2
5	AN-FSH 6	Nut flange serrat DIN6923 Zn	2



### LG-B60-V2 P4

001341704

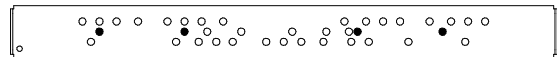
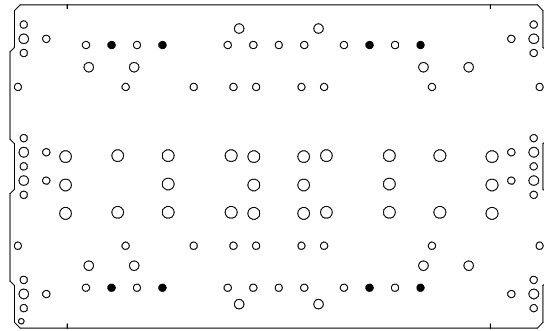
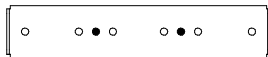
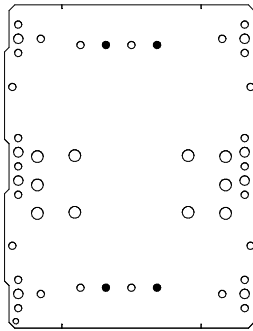
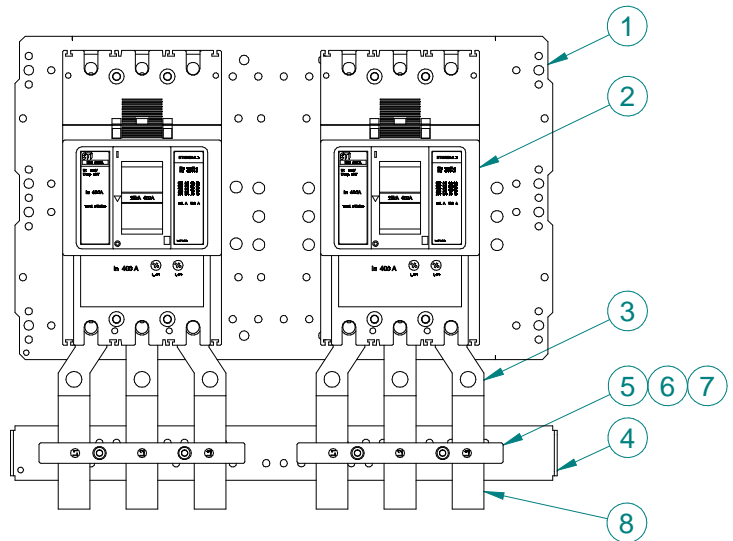
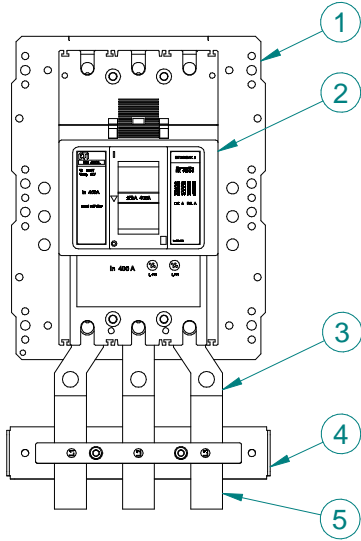
LG-B60-V2 P4 001341704			
No.	Type ETI	Name	Pcs.
1	LG-B60-V2-C	Holder	1
2	AST 4.8x9.5	Tapping screw	6
3	BBS-60/4	Busbar support	1
4	AS-SH 6x20	Screw M6x20 DIN912	3
5	AN-FSH 6	Nut flange serrat DIN6923 Zn	3



EB2/ED2 (400, 630 A) 3P

No.	Type ETI	Pcs.
1	PM 1 ELS46 K1	1
2	EB2/ED2 (400, 630 A) 3P	1
3	ZB2 (3P)	1
4	LG-B60-V1 P3	1
5	busbar	3

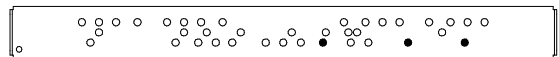
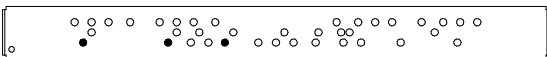
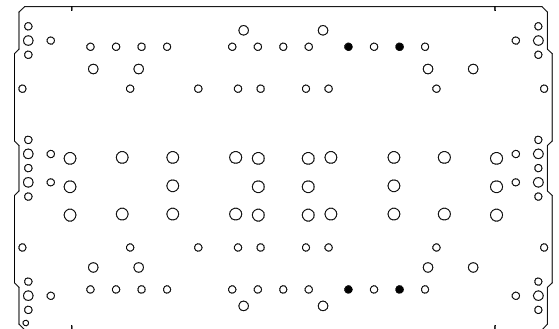
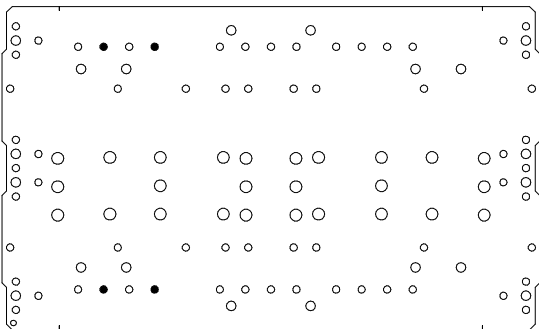
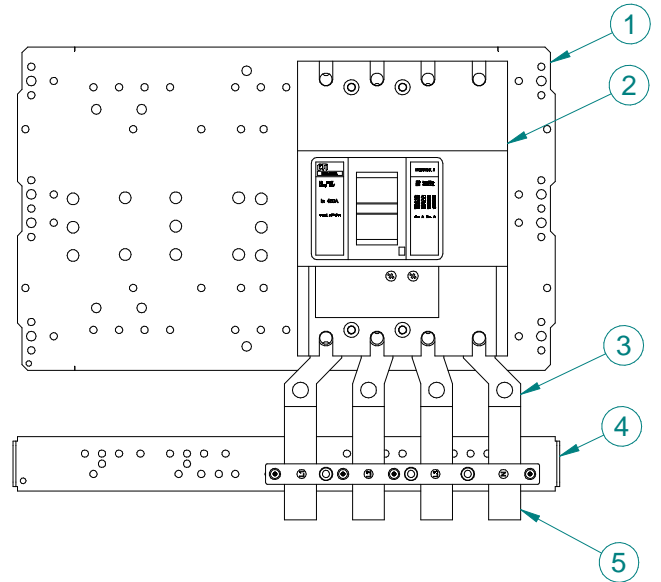
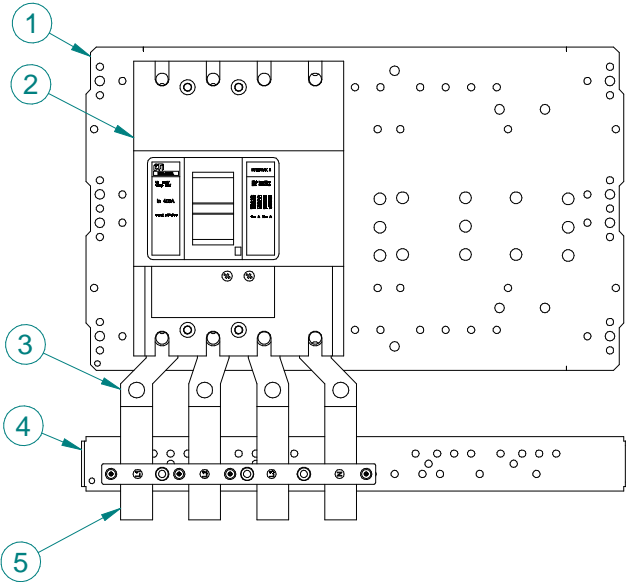
No.	Type ETI	Pcs.
1	PM 2 ELS46 K123	1
2	EB2/ED2 (400, 630 A) 3P	2
3	ZB2 (3P)	2
4	LG-B60-V2 P3	1
5	BBS-60/3	1
6	AS-SH 6x20	2
7	AN-FSH 6	2
8	busbar	3



EB2/ED2 (400, 630 A) 4P

No.	Type ETI	Pcs.
1	PM 2 ELS46 K123	1
2	EB2/ED2 (400, 630 A) 4P	1
3	ZB2 (4P)	1
4	LG-B60-V2 P4	1
5	busbar	4

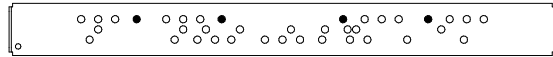
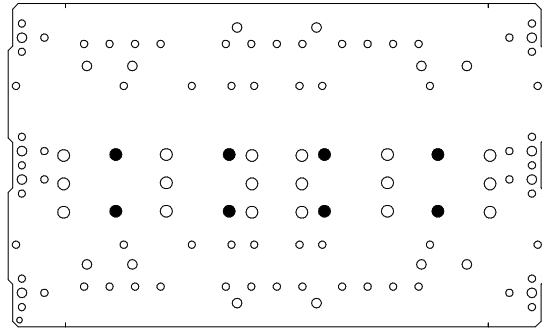
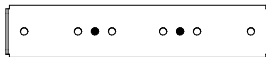
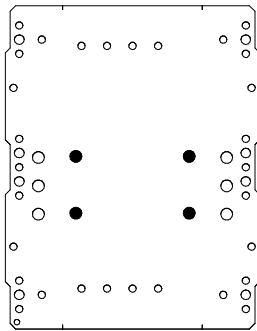
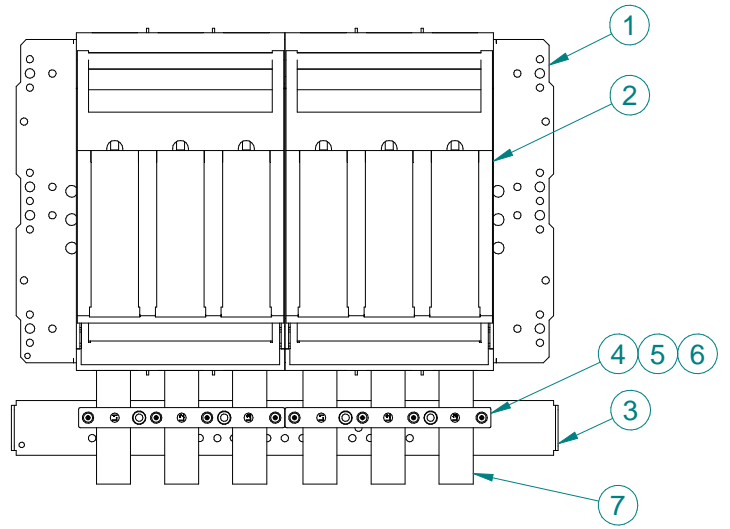
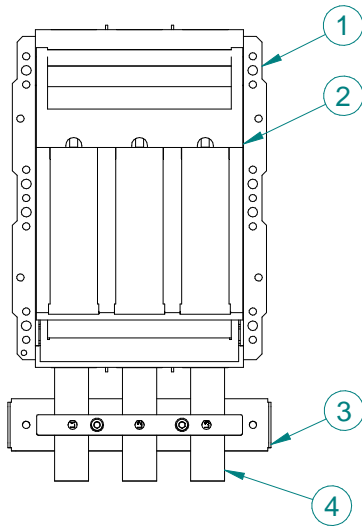
No.	Type ETI	Pcs.
1	PM 2 ELS46 K123	1
2	EB2/ED2 (400, 630 A) 4P	1
3	ZB2 (4P)	1
4	LG-B60-V2 P4	1
5	busbar	4



KVL-1 3P

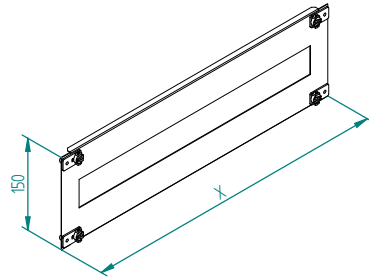
No.	Type ETI	Pcs.
1	PM 1 ELS46 K1	1
2	KVL-1 3P	1
3	LG-B60-V1 P3	1
4	busbar	3

No.	Type ETI	Pcs.
1	PM 2 ELS46 K123	1
2	KVL-1 3P	2
3	LG-B60-V2 P3	1
4	BBS-60/3	1
5	AS-SH 6x20	2
6	AN-FSH 6	2
7	busbar	3

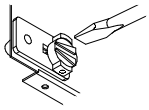


# CP x-1 M

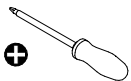
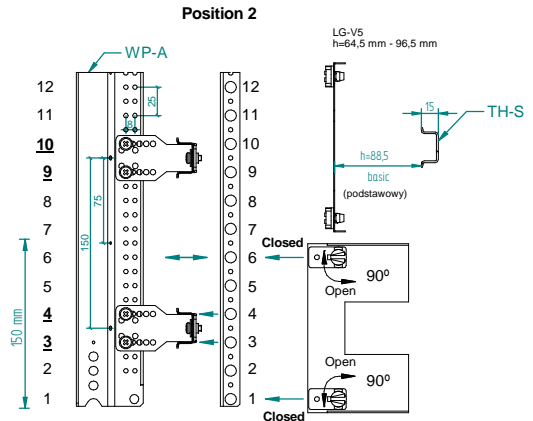
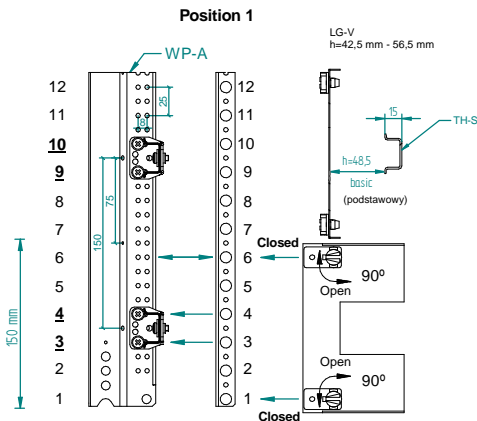
for MODULAR DIN-RAIL DEVICES  
(osłony modułowe)



Code No	Type	X [mm]	No of modules
001101451	CP 1-1 M	250	12
001101452	CP 1.4-1 M	350	17
001101453	CP 2-1 M	500	24
001101454	CP 2.2-1 M	550	26
001101455	CP 3-1 M	750	36
001101456	CP 3.8-1 M	950	46



Screwdriver flat-blade  
(Wkrętarz płaski)

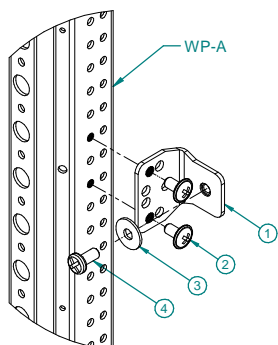


Screwdriver PH2  
(Wkrętarz PH2)

AS-C 5x10	2,2-3,5 Nm
AST 4.8x9.5	3,0-3,4 Nm

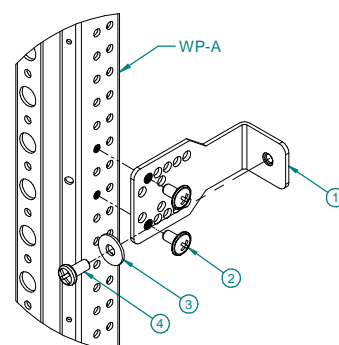
Position 1 - support WP-A			
No.	Type ETI	Name	Pcs.
1	LG-V	Support	2
2	AST 4.8x9.5	Tapping screw	4
3	AW-RE 5	Washer M5 DIN9021 Zn	2
4	AS-C 5x10	Screw M5x10 DIN7985 Zn	2

**Position 1**



Position 2 - support WP-A			
No.	Type ETI	Name	Pcs.
1	LG-V5	Support	2
2	AST 4.8x9.5	Tapping screw	4
3	AW-RE 5	Washer M5 DIN9021 Zn	2
4	AS-C 5x10	Screw M5x10 DIN7985 Zn	2

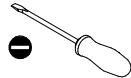
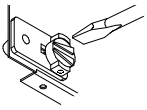
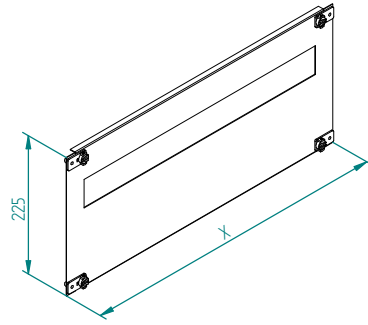
**Position 2**



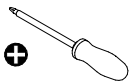
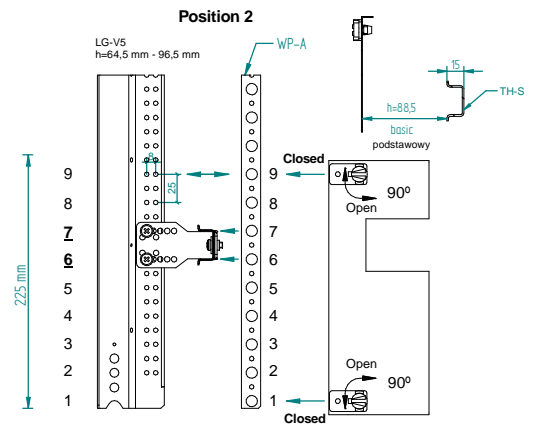
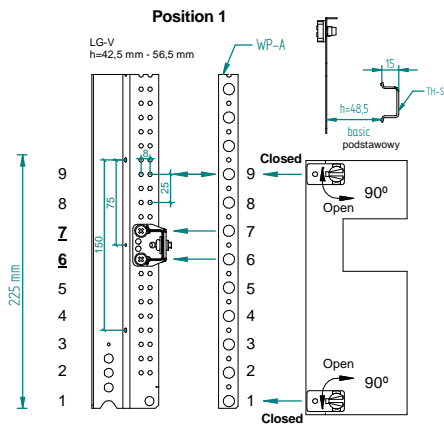
# CP x-1.5 M

for MODULAR DIN-RAIL DEVICES  
(osłony modułowe)

Code No	Type	X [mm]	No of modules
001101458	CP 1-1.5 M	250	12
001101459	CP 2-1.5 M	500	24
001101460	CP 3-1.5 M	750	36



Screwdriver flat-blade  
(Wkrętek płaski)

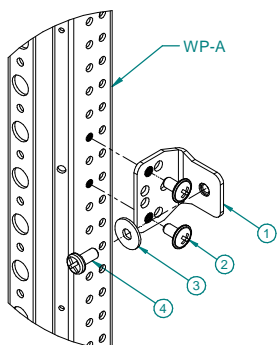


Screwdriver PH2  
(Wkrętek PH2)

AS-C 5x10	2.2-3.5 Nm
AST 4.8x9.5	3.0-3.4 Nm

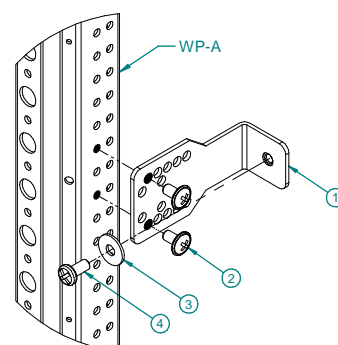
Position 1 - support WP-A			
No.	Type ETI	Name	Pcs.
1	LG-V	Support	2
2	AST 4.8x9.5	Tapping screw	4
3	AW-RE 5	Washer M5 DIN9021 Zn	2
4	AS-C 5x10	Screw M5x10 DIN7985 Zn	2

**Position 1**

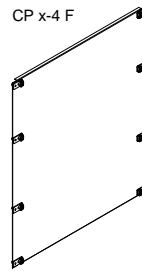
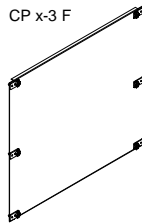
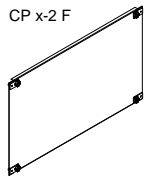
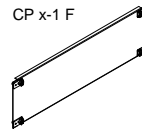
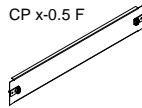
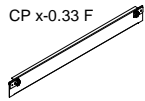
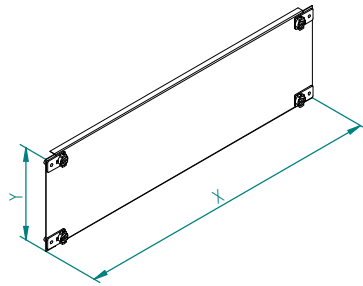


Position 2 - support WP-A			
No.	Type ETI	Name	Pcs.
1	LG-V5	Support	2
2	AST 4.8x9.5	Tapping screw	4
3	AW-RE 5	Washer M5 DIN9021 Zn	2
4	AS-C 5x10	Screw M5x10 DIN7985 Zn	2

**Position 2**



CP x-y F



CP x-0.33 F		Y=50 mm
Code No	Type	X [mm]
001101420	CP 1-0.33 F	250
001101421	CP 1.4-0.33 F	350
001338972	CP 2-0.33 F	500
001101422	CP 2.2-0.33 F	550
001101423	CP 3-0.33 F	750
001101424	CP 3.8-0.33 F	950

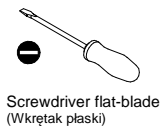
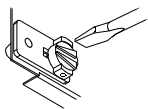
CP x-0.5 F		Y=75 mm
Code No	Type	X [mm]
001101425	CP 1-0.5 F	250
001101426	CP 2-0.5 F	500
001101427	CP 3-0.5 F	750

CP x-1 F		Y=150 mm
Code No	Type	X [mm]
001101429	CP 1-1 F	250
001101430	CP 1.4-1 F	350
001101431	CP 2-1 F	500
001101432	CP 2.2-1 F	550
001101433	CP 3-1 F	750
001101434	CP 3.8-1 F	950

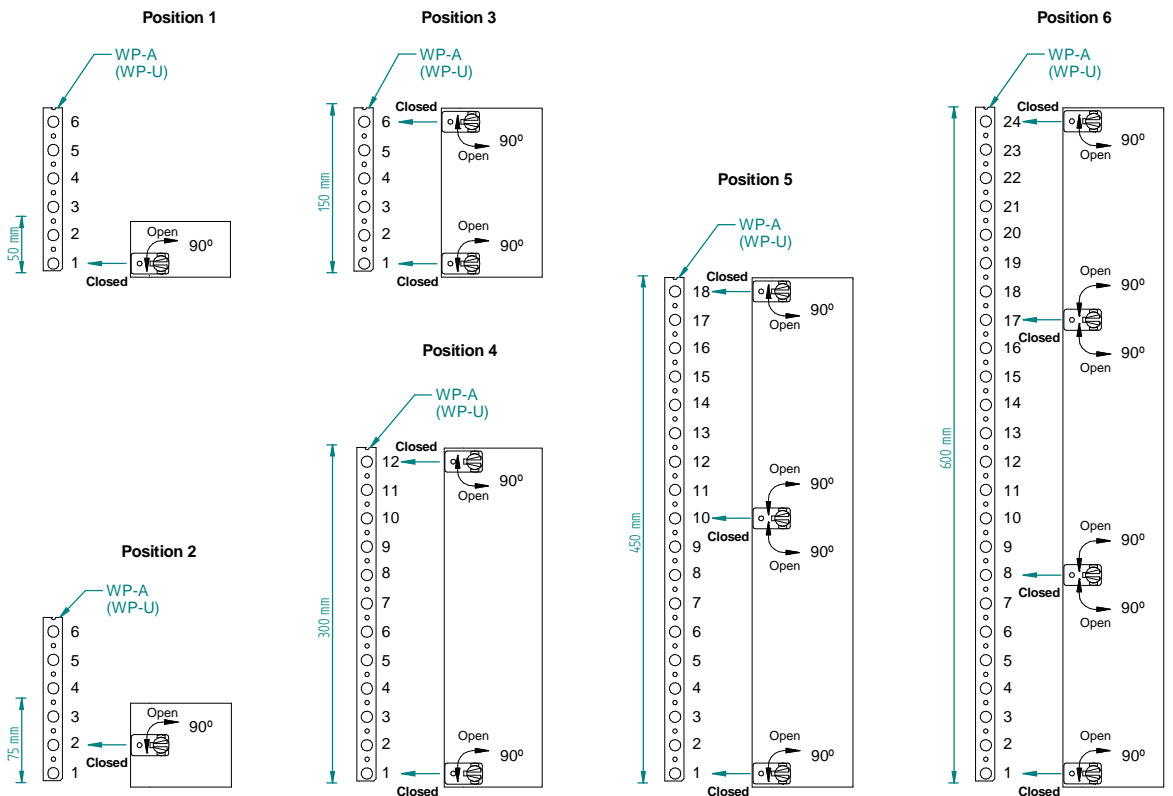
CP x-2 F		Y=300 mm
Code No	Type	X [mm]
001101436	CP 1-2 F	250
001101437	CP 1.4-2 F	350
001101438	CP 2-2 F	500
001101439	CP 2.2-2 F	550
001101440	CP 3-2 F	750
001101441	CP 3.8-2 F	950

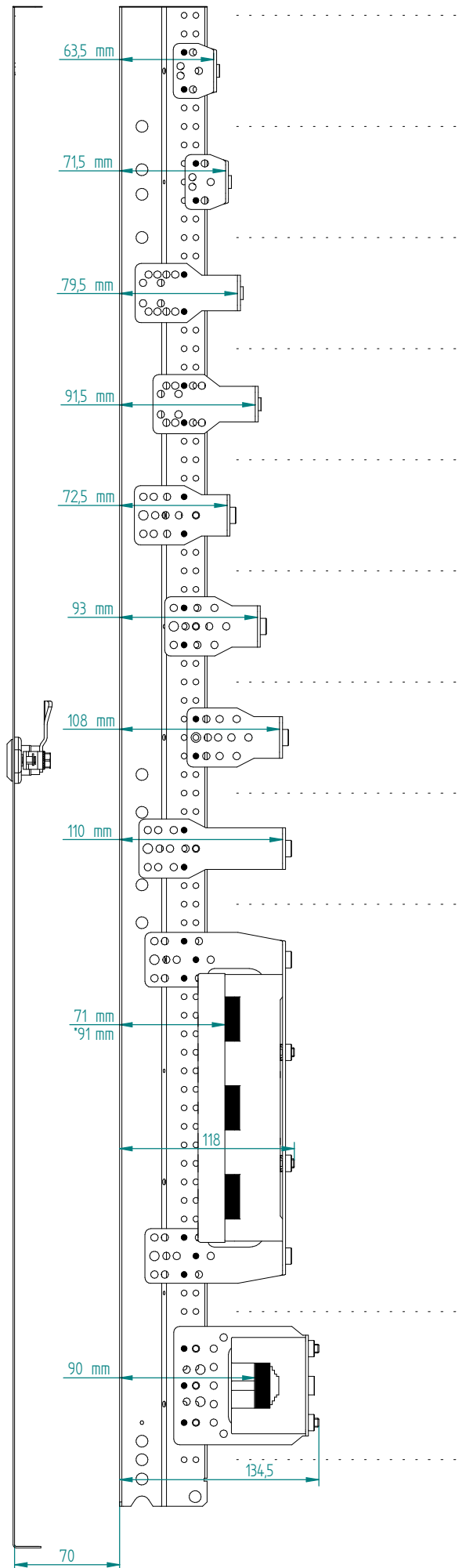
CP x-3 F		Y=450 mm
Code No	Type	X [mm]
001101443	CP 1-3 F	250
001101444	CP 2-3 F	500
001101445	CP 3-3 F	750

CP x-4 F		Y=600 mm
Code No	Type	X [mm]
001101447	CP 1-4 F	250
001101448	CP 2-4 F	500
001101449	CP 3-4 F	750



Screwdriver flat-blade (Wkrętarz płaski)





LG-V	MODULAR DIN-RAIL DEVICES EB2/ED2 125 EB2/ED2 160/250 KVL 00
LG-V	EB2/ED2 125 EB2/ED2 160/250
LG-V5	LBS 160
LG-V5	LBS 250
LG-V6-B	KVL 1
LG-V6-B	KVL 2, KVL 3
LG-V6-B	EB2 400/630
LG-V6-D	LBS 400/630
LG-B60-H P3	KVL 00, KVL 1 *KVL 2, KVL 3
LG-B60-H P1	PE/N/PEN BUSBARS