

# Home distribution board DIDO

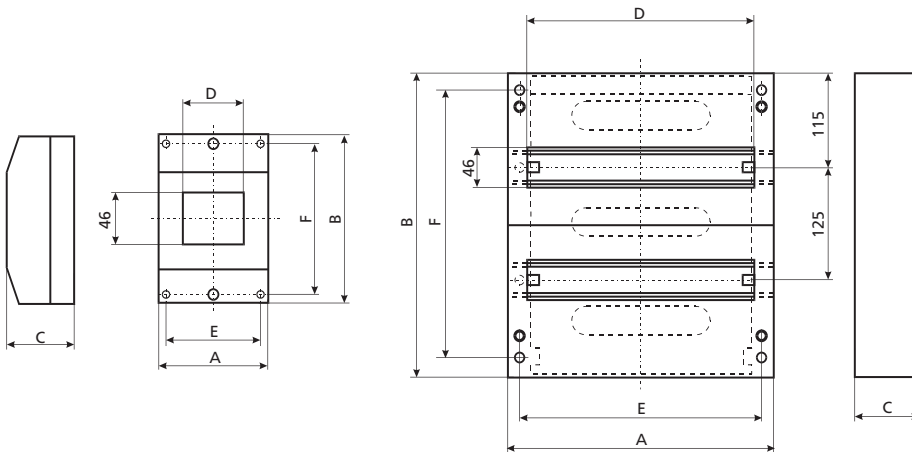
**Technical data:**

Rated voltage $U_n$	400 V
Rated current $I_n$	63 A
Degree of protection	IP 30
Double insulation	<input type="checkbox"/>
Colour	RAL 9016
Material	
Standard	DIN 43871, DIN 57603, IEC 670

**Surface mounted distribution board**

type	dimension					
	A	B	C	D	E	F
DIDO NE 4	100	150	58	72	80,5	135
DIDO NE 12	250	225	70,5	217	229	199
DIDO ND 12	250	350	70,5	217	229	324

Distribution boards of DIDO system are suitable for distribution applications in homes, schools and commercial premises. DIDO distribution boards systems fulfil the requirements of DIN 43871 and DIN 57603. As to the type mounting, surface mounted and flush mounted distribution boards in 1 or 2 row design are produced. These distribution boards offer generous wiring space. The minimum distance between mounting rail and the boards edge of the cover frame is 115 mm. The distance between rows is 125 mm, so a generous wiring space is provided even if a distribution board is fitted with maximum number of miniature circuit breakers. The distribution boards are double insulated. They are very easy and quick to install and dismantle.



**Flush mounted distribution board**

type	dimension			
	A	B	C	D
DIDO PE 12 high	294	217	90	217
DIDO PE 12 low	294	217	70	217
DIDO DP 12 high	294	335	90	217
DIDO PD 12 low	294	335	70	217

