

## Switch disconnectors LA

### Generalities

LA is a range of switch disconnectors suitable for making and breaking on load and disconnecting low voltage electrical purposes:

- main switch
- switch for motors
- disconnector
- safety switch

### General characteristics

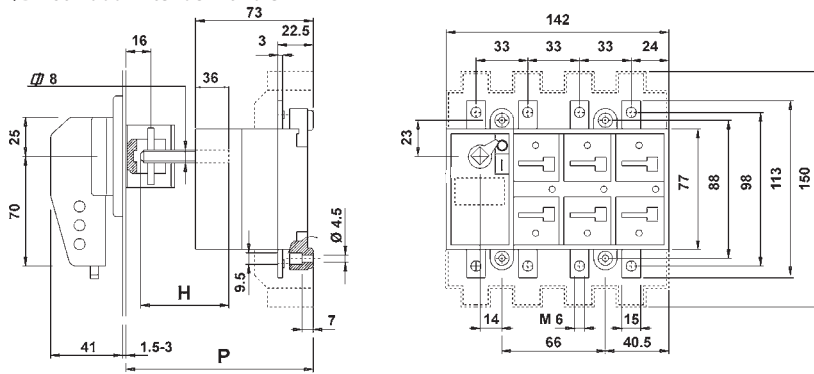
- rated insulation voltage 1000V AC and 1500V DC
- 3 and 4 poles available
- high breaking capacity (AC-22, AC-23, IEC 60947-3)
- high electrical and mechanical endurance
- double break contacts
- self – cleaning contacts
- contact position positively indicated by the handle
- visibility of fixed and moving contacts by means of windows
- independent manual operation
- neutral contract makes earlier and opens later than the phase contacts
- suitable protection to prevent accidental touching of live parts
- casing in self-extinguishing (V0-UL94), low hygroscopic and high mechanical resistance isolating material
- resistant to damp heat (IEC 6068-2)
- wide range of accessories
- rotary front operation by means of: external double insulated handle with door – interlock in ON position, IP65 degree of protection; padlockable with three padlocks in OFF position
- direct handle (padlockable in OFF position on request)

### Technical data for LA switch disconnectors

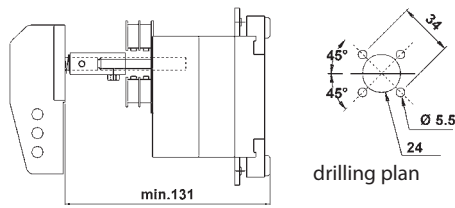
Type			LA1	LA2	LA3	LA4	LA5	
Rated current	(I <sub>n</sub> )		160A	250A	400A	630A	1250A	
Rated insulation voltage	AC	(U <sub>i</sub> )	(V)	1000	1000	1000	1000	1000
	DC	(U <sub>i</sub> )	(V)	1500	1500	1500	1500	1500
Impulse withstand voltage	(U <sub>imp</sub> )	(kV)	8	12	12	12	12	
Rated thermal current	(I <sub>th</sub> )	(A)	160	250	400	630	1250	
Rated current AC-21/A/B	400V	(A)	125/160	250	400	630	1250	
	500V	(A)	125/160	250	400	630	1250	
	690V	(A)	125/160	250	400	630	1250	
Rated current AC-22/A/B	400V	(A)	125/160	250	400	630	1250	
	500V	(A)	125/125	250	400	630	1250	
	690V	(A)	125/125	250	400	630	1250	
Rated current AC-23/A/B	400V	(A)	125/125	250	400	630	1250	
	500V	(A)	100/100	200	315	500	800	
	690V	(A)	80/80	160	250	400	400	
Rated current DC-21A/B*	220V	(A)	125/160	250	400	630	1250	
	420V	(A)	-	250	400	630	-	
	560V	(A)	-	-	400	630	-	
Rated current DC-22A/B*	220V	(A)	125/125	250	400	630	1250	
	420V	(A)	-	250	400	630	-	
	560V	(A)	-	-	400	630	-	
Rated current DC-23A/B*	220V	(A)	80/80	250	400	630	800	
	420V	(A)	-	250	400	630	-	
	560V	(A)	-	-	400	630	-	
Rated making capacity at 400V AC23		(A)	1250	2500	4000	6300	12500	
Rated breaking capacity at 400V AC23		(A)	1000	2000	3200	5040	10000	
Short-circuit with stand current	1 sec.	(kA)	5	8	13	26,5	35	
	0,25 sec	(kA)	10	16	26	53	70	
Short-circuit making capacity	(400V)	(kA)	7,5	13,5	26	30	73,5	
Rated operational current AC 23A	(400V)	(kW)	65	130	210	330	630	
Rated back up fuse short-circuit current								
Back up fuse		(A)	125	250	400	630	1000	
Short - circuit current - R.M.S. value		(kA)	50	50	50	50	100	
Mechanical endurance			10000	10000	8000	8000	7000	
Electrical endurance			2000	2000	1500	1500	1000	
Rated capacitor power at 400 V		kVAR	50	110	180	300	600	
Power loss per pole		(W)	2,7	3,8	9,4	15,6	12,7	
Cable section (Cu)		mm <sup>2</sup>	70	120	240	2x185	-	
Bars dimensions (Cu)		mm	16x4	20x5	2x25x5	2x32x6	2x50x8	
Operation torque		Nm	8	12	18	34	45	
Weight	3P	kg	0,9	1,5	3,5	5,5	11	
	4P	kg	1	1,6	3,8	6	12	

\*Two poles in series

LA1 /D 160 - door interlock handle

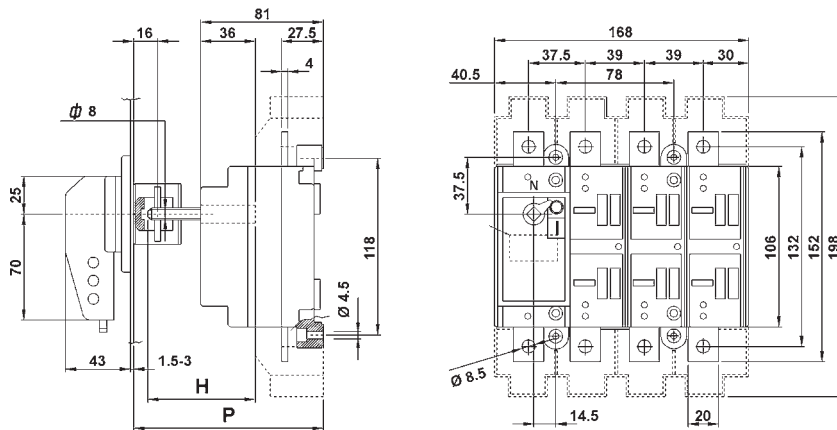


LA1 /R 160 - with direct handle

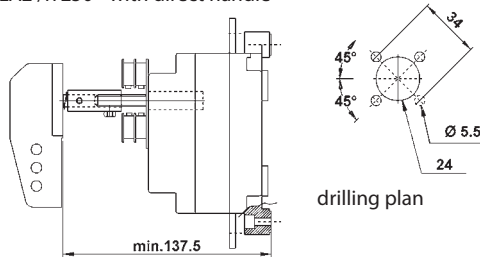


P		C	H
min	max		
116	247	47	P-C

LA2 /D 250 - door interlock handle

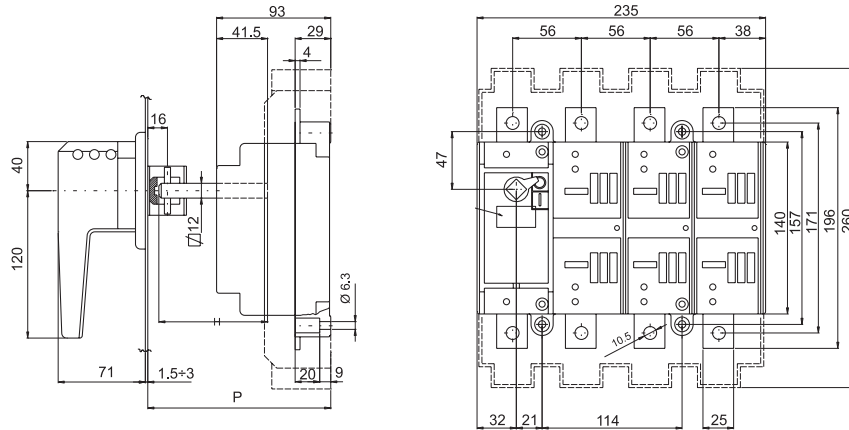


LA2 /R 250 - with direct handle

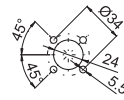
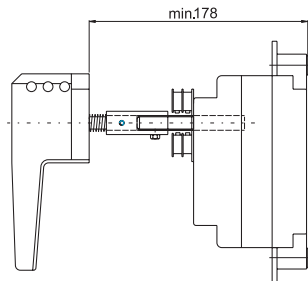


P		C	H
min	max		
174	255	55	P-C

LA3/D 400 A - door interlock handle

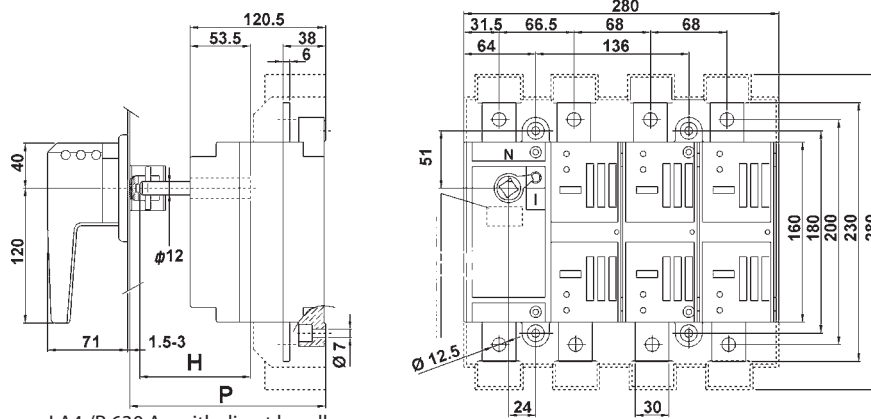


LA3/R 400 A with direct handle

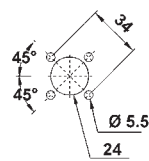
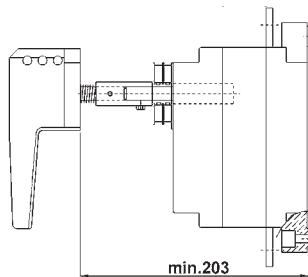


P		C	H
min	max		
148	261,5	51,5	P-C

LA4 /D 630 A - door interlock handle



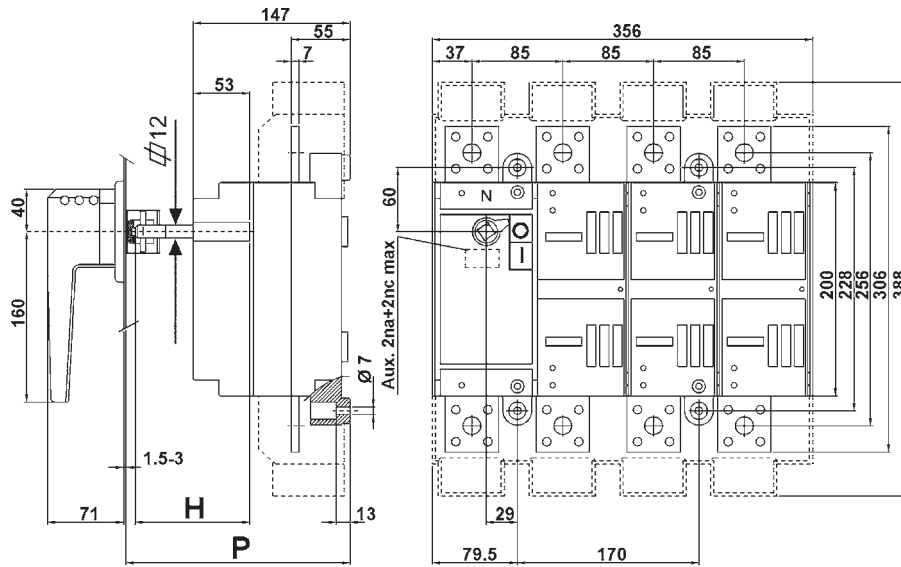
LA4 /R 630 A - with direct handle



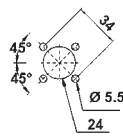
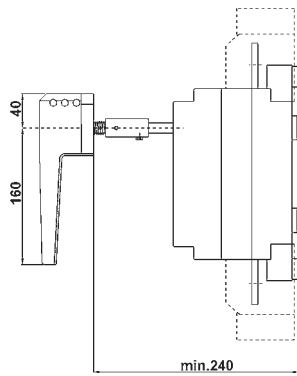
drilling plan

P		C	H
min	max		
174	276	76	P-C

LA5 /D 1250 A - door interlock handle



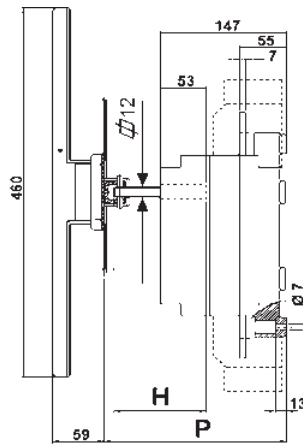
LA5 /R 1250 A - with direct handle



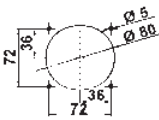
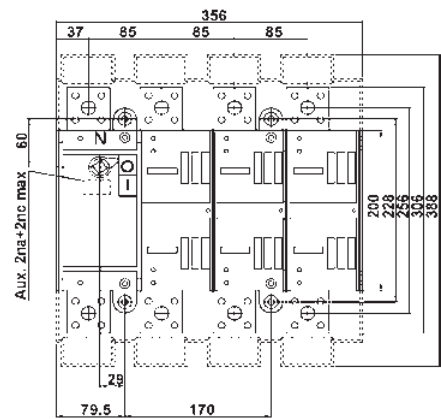
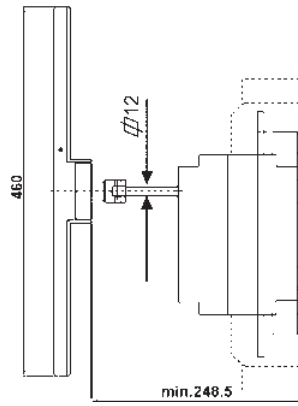
P		C	H
min	max	96	P-C
215	296		

LA5 50kA 1250 A

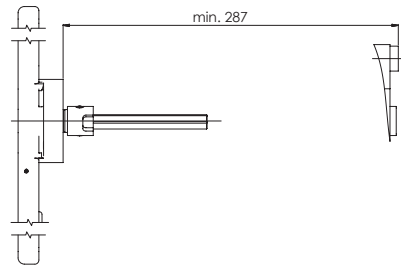
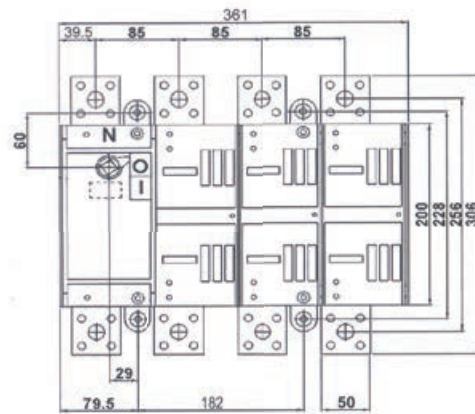
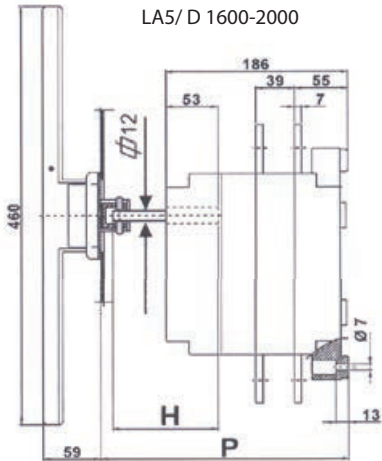
Door interlock handle



Direct handle



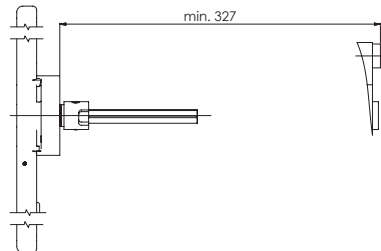
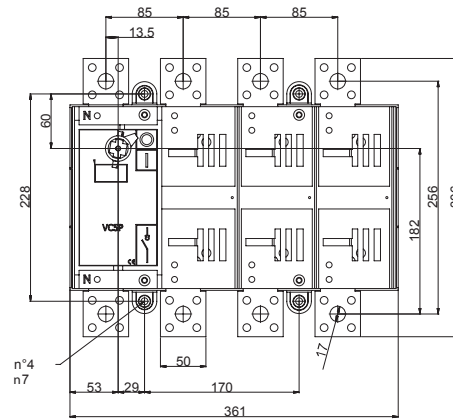
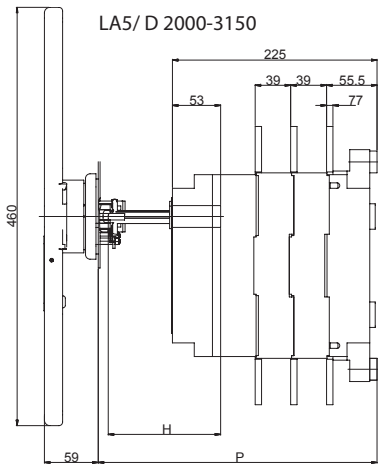
Door drilling



LA5/ R 1600-2000



P		C	H
min	max	145	P-C
252	345		



LA5/ R 2000-3150



P		C	H
min	max	184	P-C
291	384		