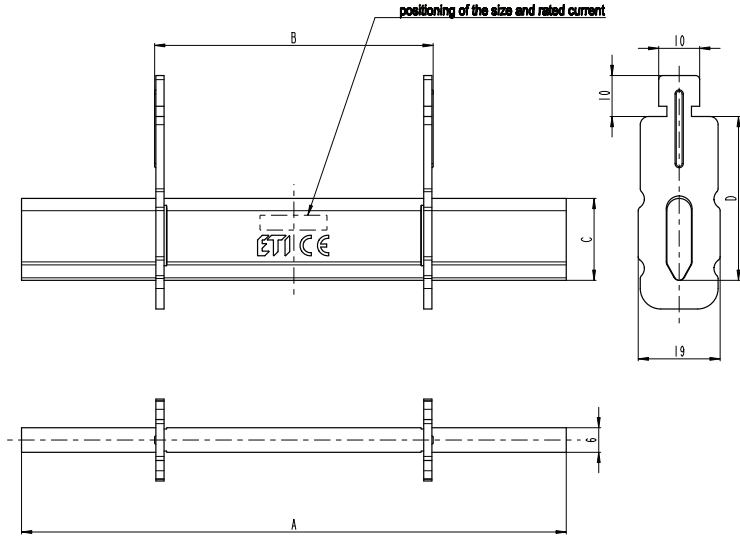


Accessories

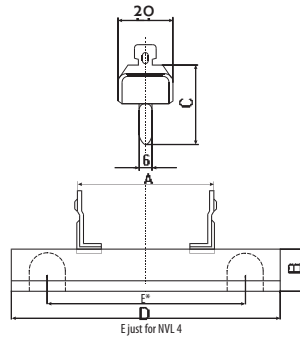
**NV separator - Drawing A**

Type	I <sub>N</sub> (A)	dimension			
		A	B	C	D
NV L 00	160	77,5	49	15	35
NV L 0	160	125	68	15	35
NV L 1	250	133	68	20	40
NV L 2	400	148	68	26	48
NV L 3	630	148	68	33	60



**NV separator - Drawing B**

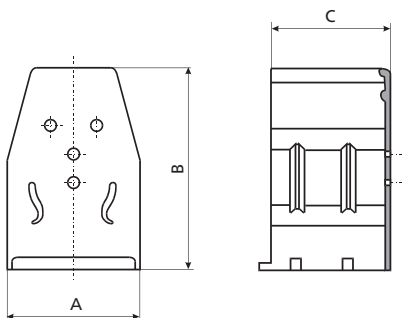
type	dimension				
	A	B	C	D	E
NV L 4	68	51	87	200	150
NV L 4a	89	50	86	200	-



NVS 5 is used for signalling of interruption of fuse-links of the Type NV/NH of the size NV/NH 00 C to NV/NH 3 (except NV/NH 1 ultra with knives for fastening with screws). NVS is activated through the indicator spring.

**Insulating sleeve of contact spring PK and PP**

type	dimension		
	A	B	C
PP 00	32	68	41
PK 1	40	52	33
PK 2	44	63	40
PK 3	44	67	40



**Base separating element**

type	dimension	
	A	B
PP 00, PK 00	125	83
PK 0	175	82
PK 1	210	100
PK 2	240	110
PK 3	250	110

