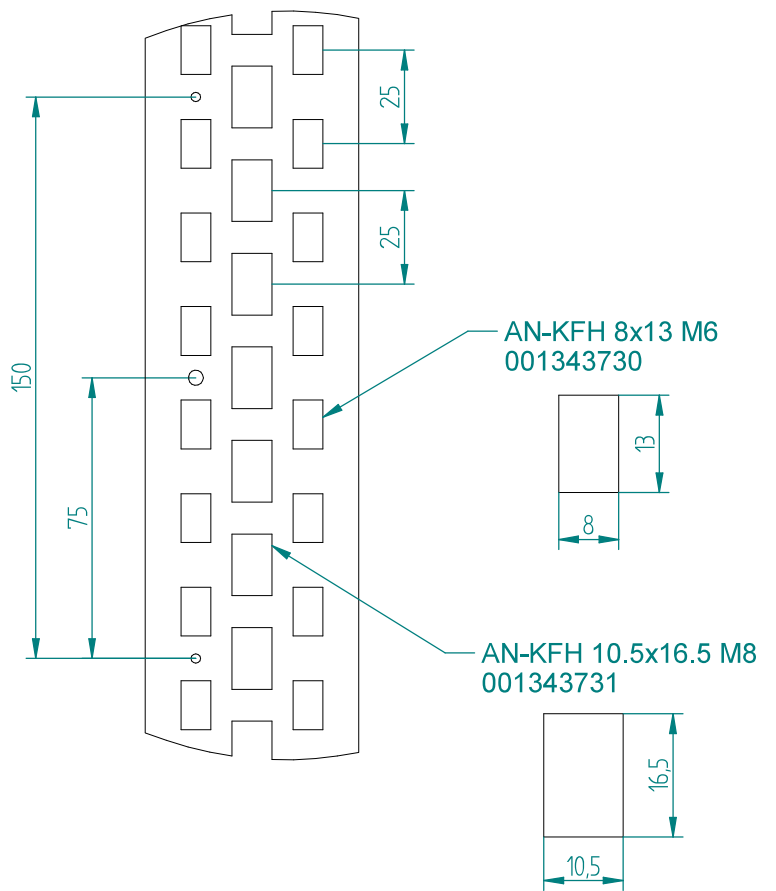
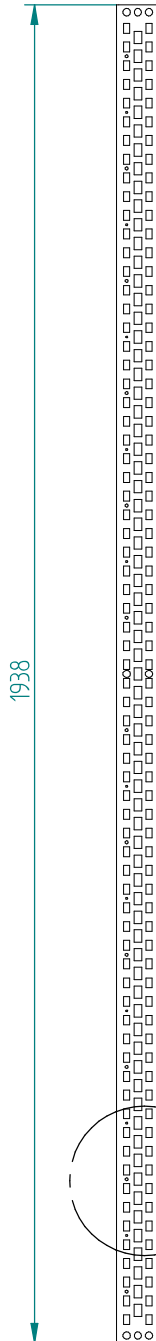


WD-K 13

001338865



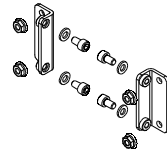
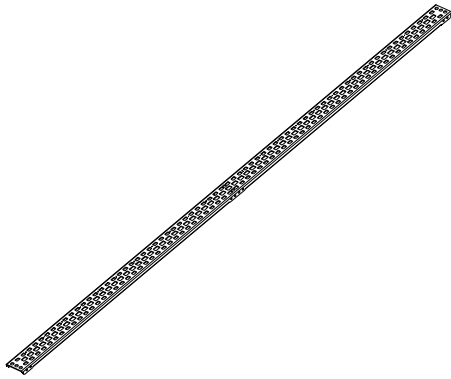
WD-K 13

assembling option 1 - fixed

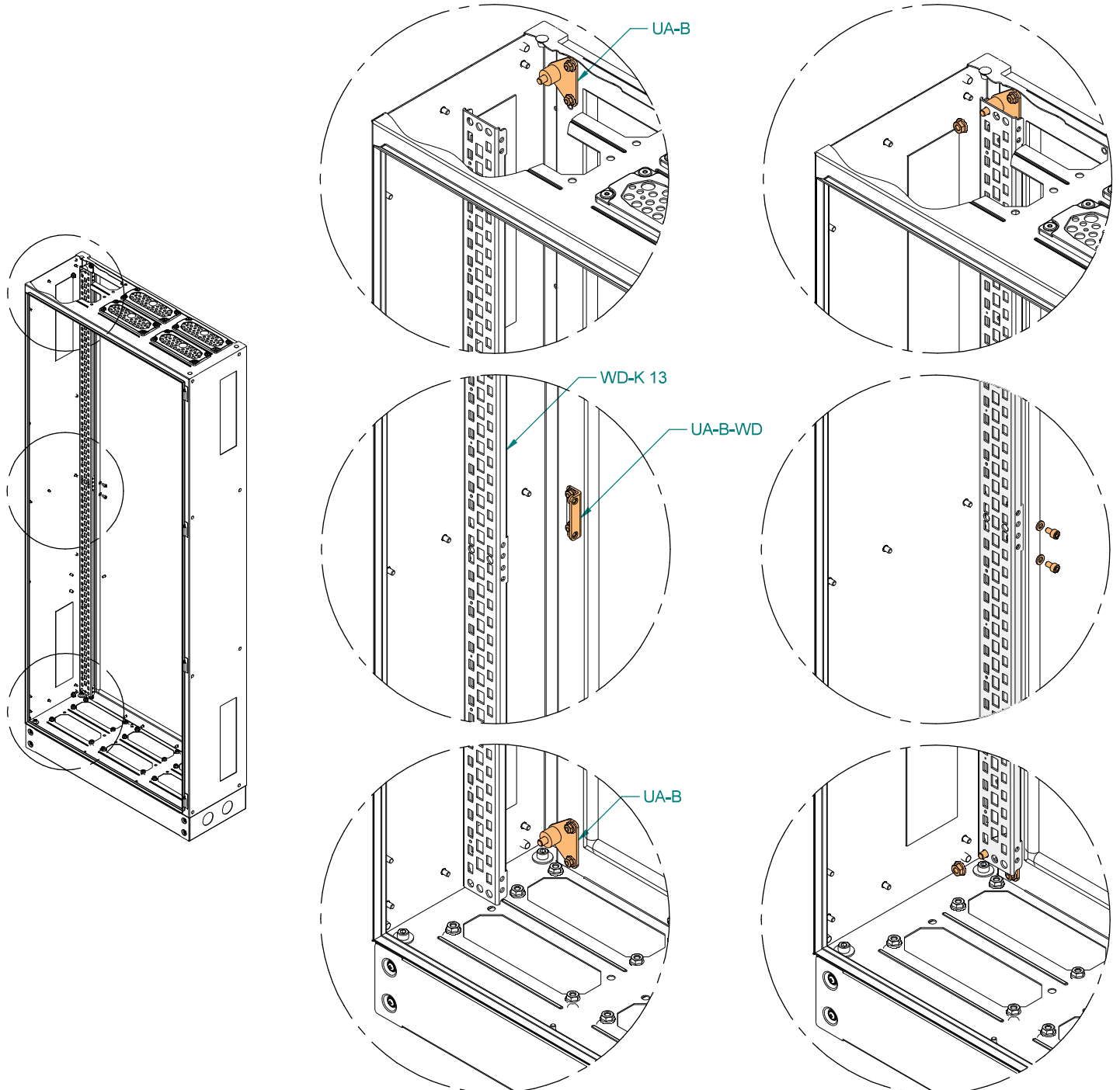
WD-K 13 001338865 x1

UA-B-WD 001338103 x1 (page 24)

UA-B 001338102 x1 (page 23)



WD-K 13 + UA-B-WD + UA-B



WD-K 13

assembling option 2 - fixed

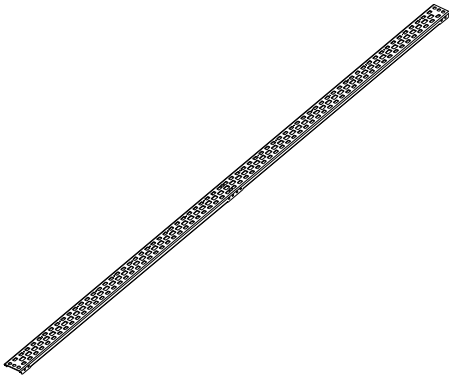
WD-K 13 001338865 x2

UA-B 001338102 x1 (page 23)

BL-UA 2 001338130 x1 (page 29)

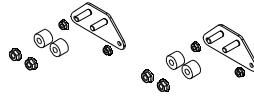
BL-UA 3 001338131 x1 (page 29)

BL-UA 4 001338132 x1 (page 29)

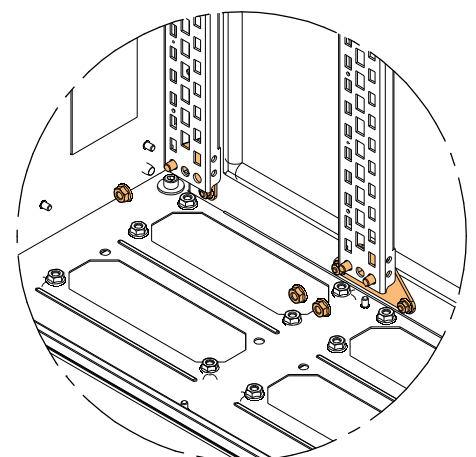
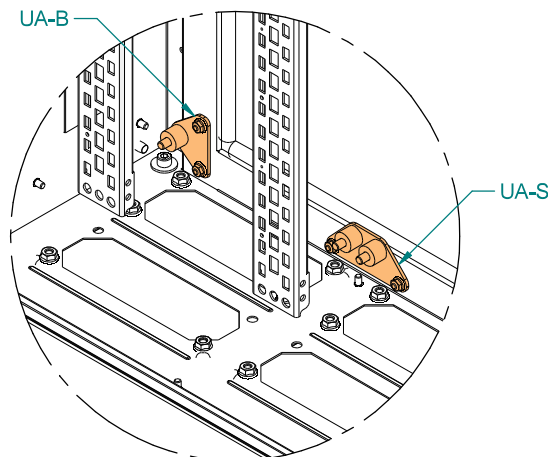
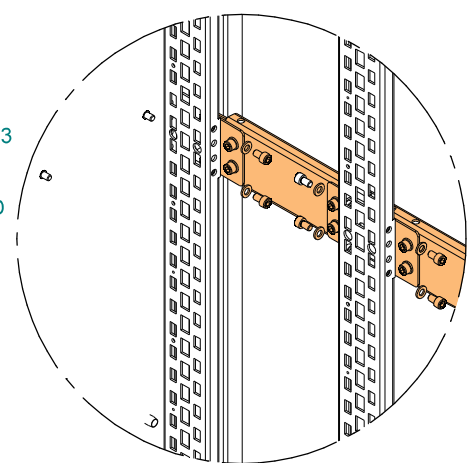
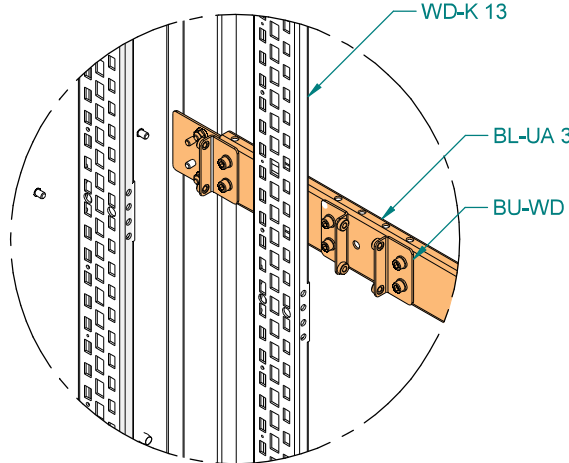
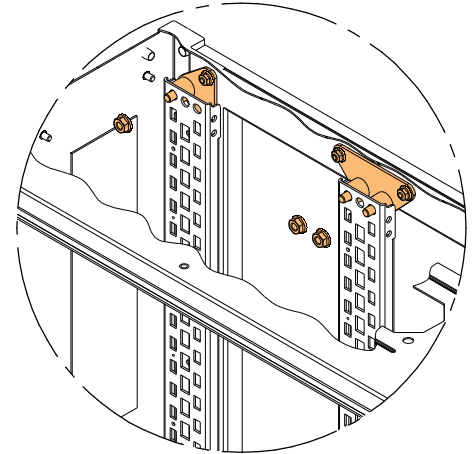
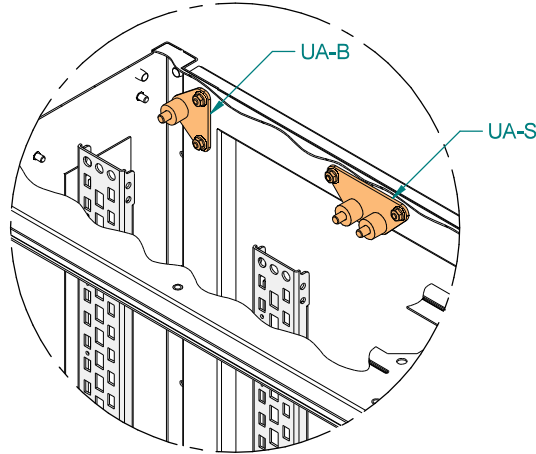
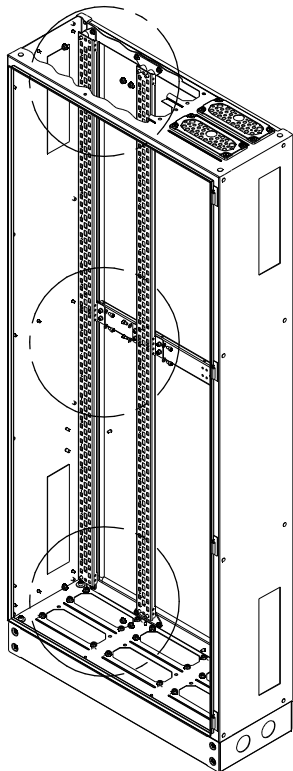


UA-S 001338104 x1 (page 25)

BU-WD 001338161 x1 (page 32)



WD-K 13 + UA-B + UA-S + BL-UA 3 + BU-WD



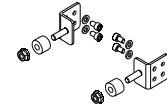
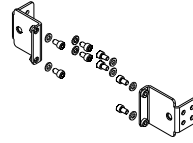
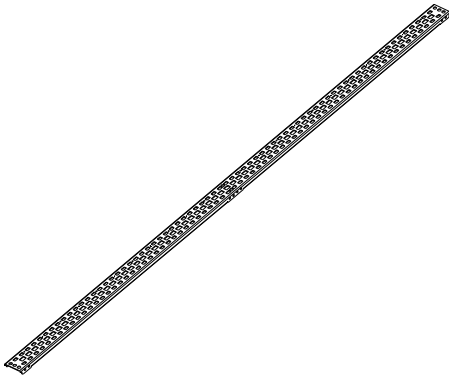
WD-K 13

assembling option 3 - regulation

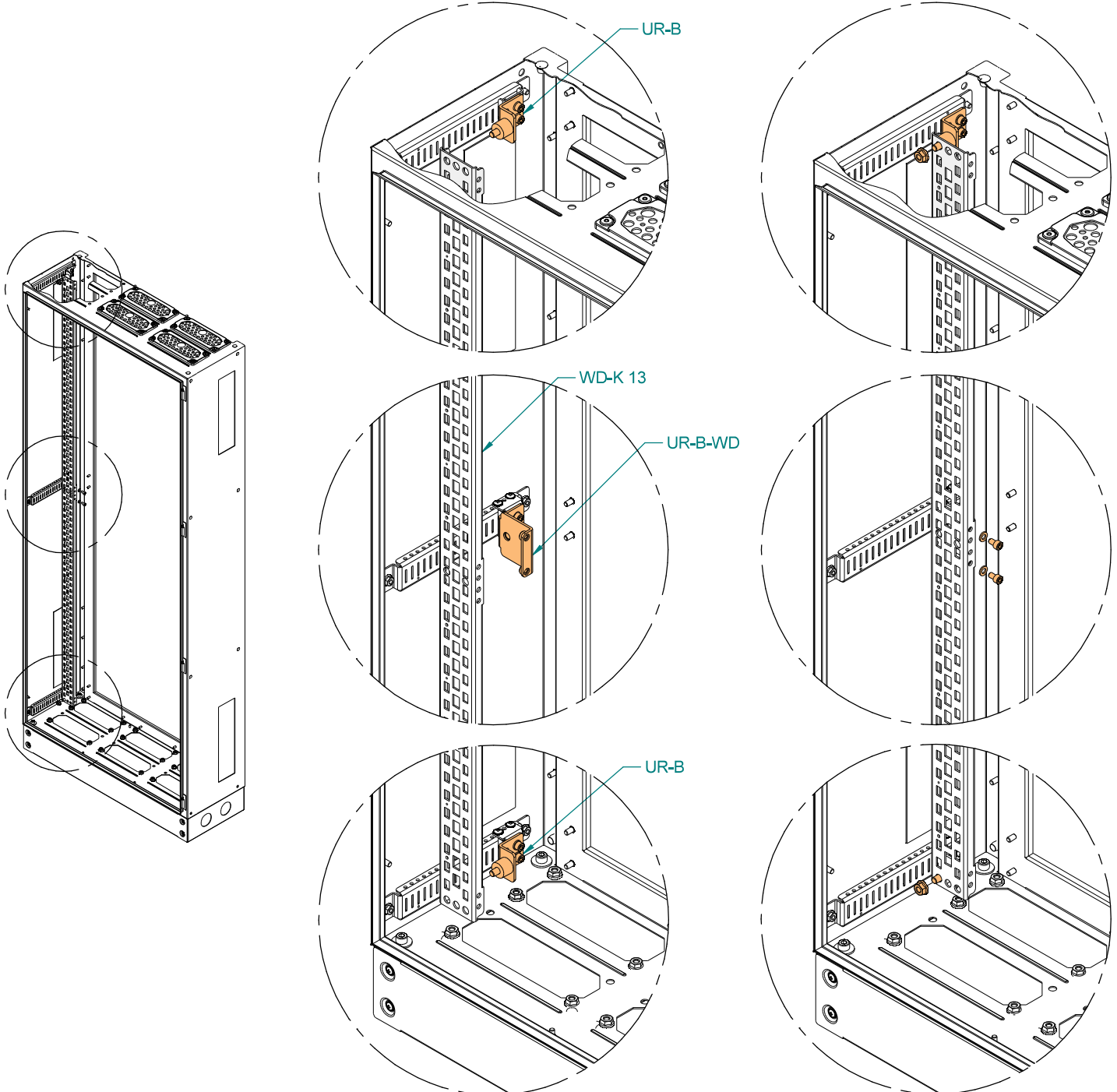
WD-K 13 001338865 x1

UR-B-WD 001338116 x1 (page 27)

UR-B 001338115 x1 (page 26)



WD-K 13 + UR-B-WD + UR-B



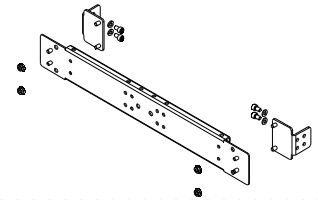
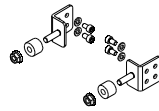
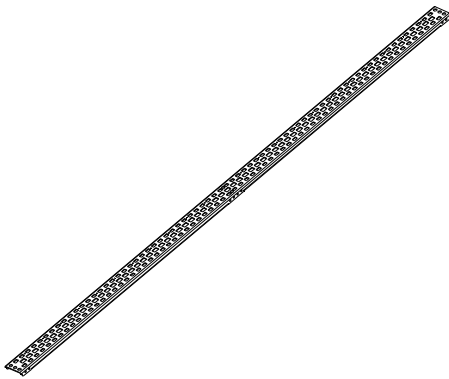
WD-K 13

assembling option 4 - regulation

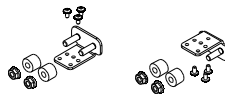
WD-K 13 001338865 x2

UR-B 001338115 x1 (page 26)

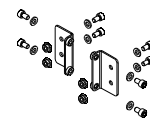
BL-UR 2 001338145 x1 (page 30)
 BL-UR 3 001338146 x1 (page 30)
 BL-UR 4 001338147 x1 (page 30)



UR-S 001338117 x1 (page 28)



BU-WD 001338161 x1 (page 32)



WD-K 13 + UR-B + UR-S + BL-UR 3 + BU-WD

