

Protective bonding according to ČSN 33 2000-4-41 ed2 /HD 60364-4-41:2007  
 - basic protection is ensured by basic insulation between live and inanimate parts  
 - fault protection is provided by automatic disconnection from the power supply  
 - supplementary protection is a supplementary protective connection, double insulated

Mount the devices in rows on DIN rails and cover with a type cover panel  
 Cover unoccupied positions in the cover panel with module plugs  
 Mark the instruments according to the documentation

RPO

3+N+PE, 3X 230/400V AC, 50Hz, TN-S,  
 In=40A, IP 65/20C, ČSN EN 61439-3

Switchboard ECH-48PT, 48modules

Existing meter switchboard

Distribution request:  
 Signal for disconnection from  
 the distribution network  
 N 0%

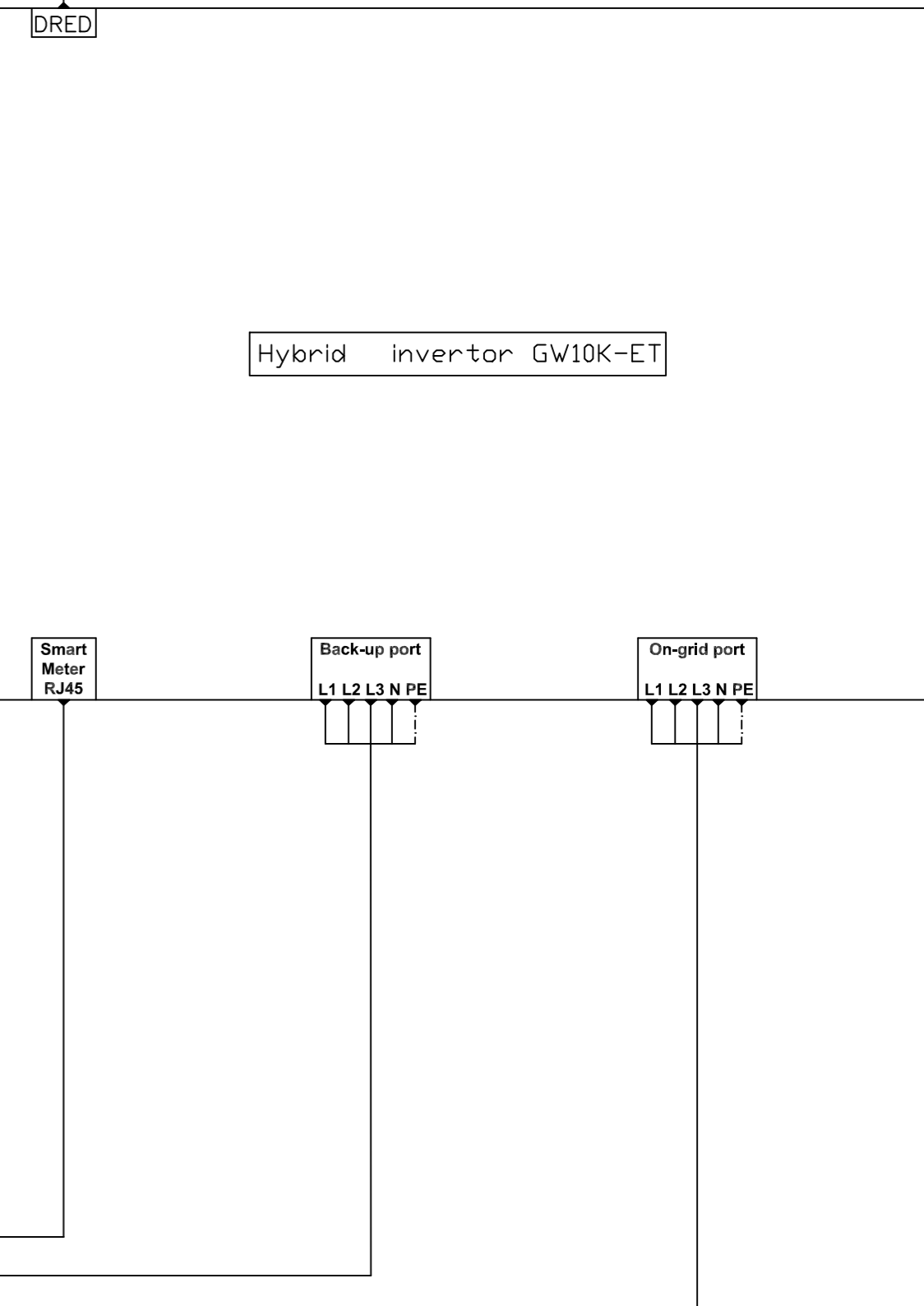
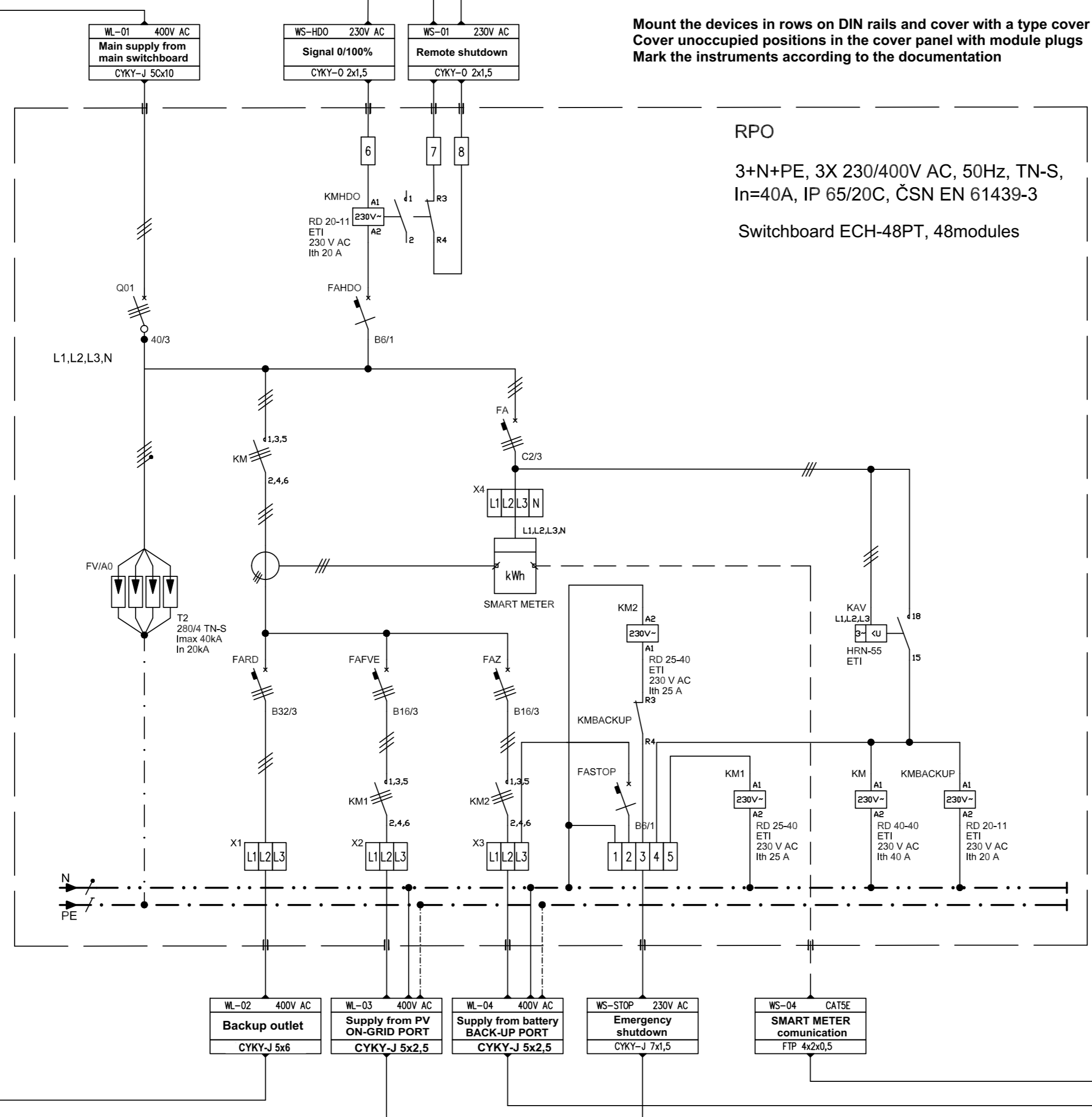
Signal 0/100%

Existing main switchboard

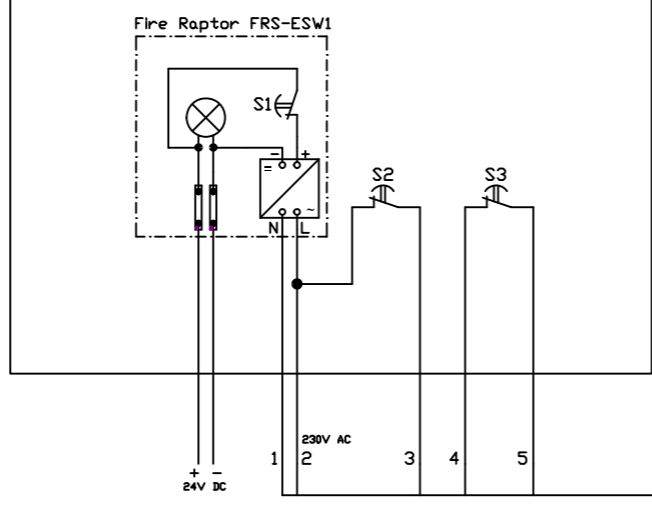
Existing MCB  
 or switch

Backed up  
 outlets

self  
 consumption  
 circuits



Emergency shutdown



If the emergency shutdown is not used,  
 terminals 2 and 3 must be connected. And 4 and 5.  
 Do not connect all terminals together!

- WL-02 400V AC  
Backup outlet  
CYKY-J 5x6
- WL-03 400V AC  
Supply from PV  
ON-GRID PORT  
CYKY-J 5x2,5
- WL-04 400V AC  
Supply from battery  
BACK-UP PORT  
CYKY-J 5x2,5
- WS-STOP 230V AC  
Emergency  
shutdown  
CYKY-J 7x1,5
- WS-04 CAT5E  
SMART METER  
communication  
FTP 4x2x0,5